

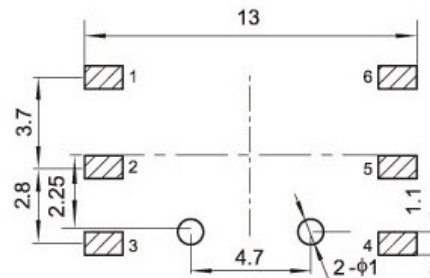
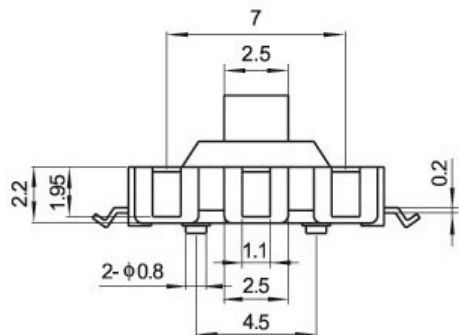
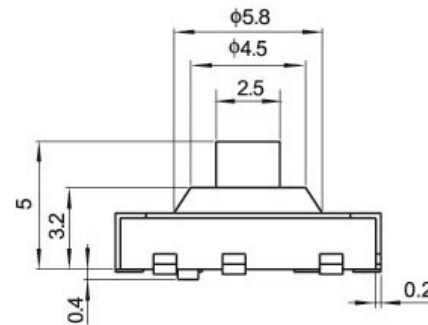
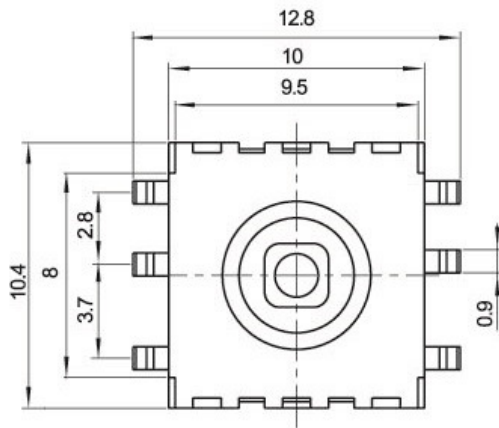
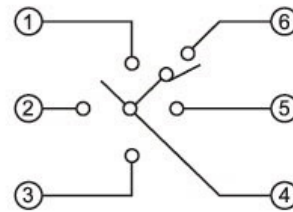
PART NUMBER: SMD-MF-04

DESCRIPTION: 10X10.4X5.0mm MULTI FUNCTION SMD TACT SWITCH 4 + CENTER PUSH



ROHS COMPLIANT

**MULTI FUNCTION
4 + CENTER PUSH**



SPECIFICATIONS

Items		Standard
Operating temperature range		-30°C to +85°C
Electrical performance	Rating	20mA, 12V DC
	Insulation resistance	100MΩ min. 100V DC
	Dielectric strength	250V AC for 1 min.
	Contact resistance	100mΩ max.
Durability	Lifetime	50,000 Cycles
Mechanical performance	Operating force	4-direction 160 ± 80gf
		Center push 300 ± 150gf
	Travel	4-direction 4° ± 2°
		Center push 0.20 ± 0.1mm

REV.00 DATE 08/04/2020

Dimensional tolerance +/- 0.2mm



PRAN ELECTRONICS PVT. LTD.
INDIA.