

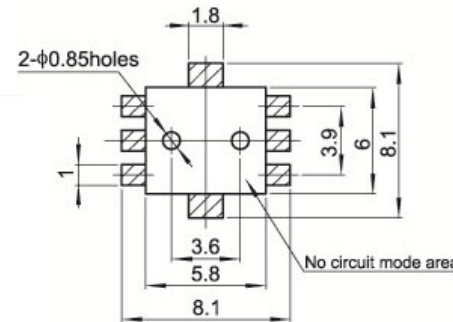
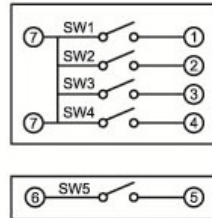
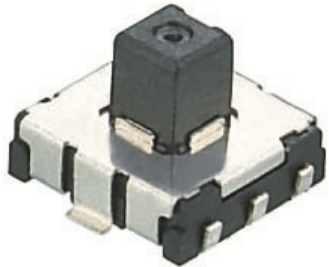
PART NUMBER: SMD-MF-02

DESCRIPTION: 6.1X6.5X5.0mm MULTI FUNCTION SMD TACT SWITCH 4+ CENTER PUSH

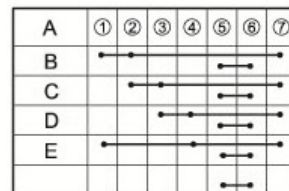
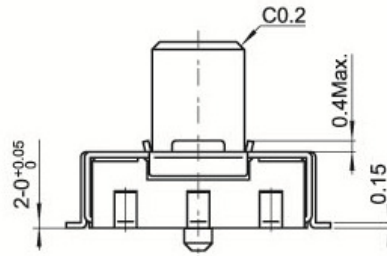
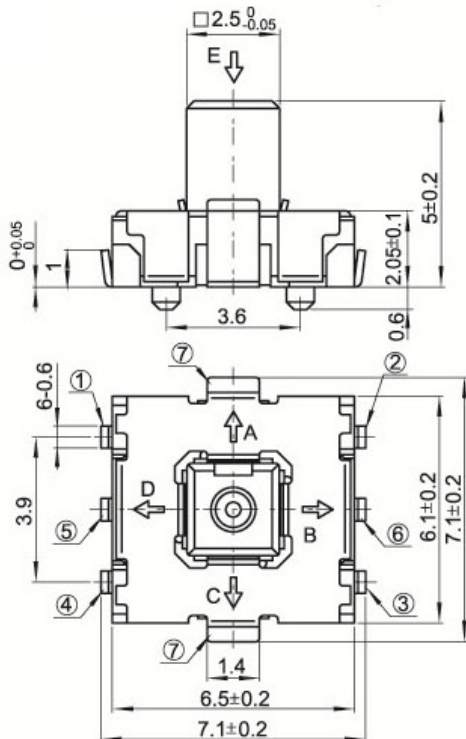


ROHS COMPLIANT

**MULTI FUNCTION  
4 + CENTER PUSH**



**SPECIFICATIONS**



Items		Standard
Operating temperature range		-30°C to +85°C
Electrical performance	Rating	50mA. 12V DC
	Insulation resistance	100MΩ min. 100V DC
	Dielectric strength	250V AC for 1 min.
	Contact resistance	4-direction 200mΩ max Center push 100mΩ max.
Durability	Lifetime	50,000 Cycles
Mechanical performance	Operating force	4-direction 140 ± 50gf Center push 220 ± 80gf
		Travel