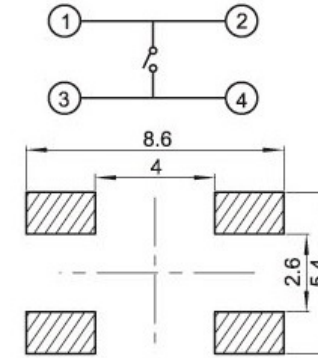
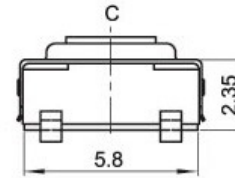
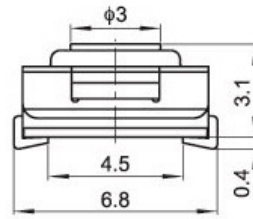
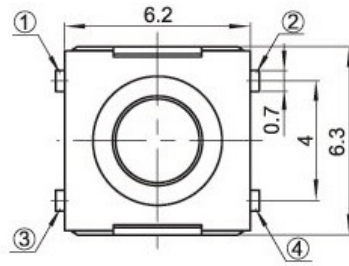


PART NUMBER: SMD-6262-08-WP

DESCRIPTION: 6.2X6.2X3.1mm 6.2X6.2 SMD TACT SWITCH WATERPROOF

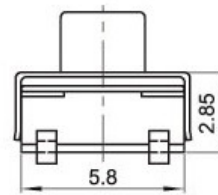
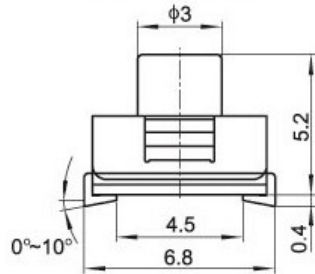
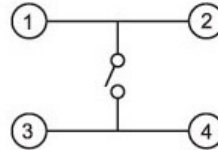
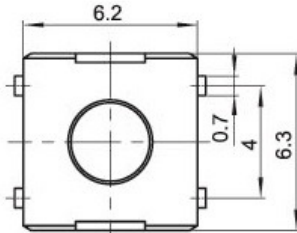


ROHS COMPLIANT

WATERPROOF

PART NUMBER: SMD-6262-09-WP

DESCRIPTION: 6.2X6.2X5.0mm 6.2X6.2 SMD TACT SWITCH WATERPROOF

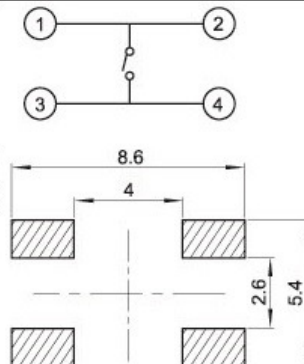
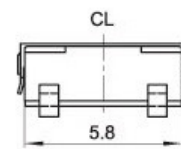
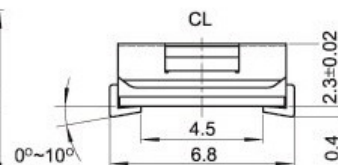
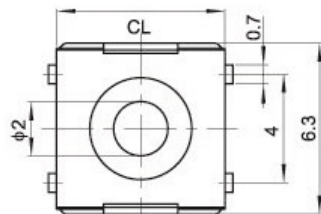


SPECIFICATIONS

Items		Standard
Operating temperature range		-30°C to +85°C
Electrical performance	Rating	50mA. 12V DC
	Insulation resistance	100MΩ min. 100V DC
	Dielectric strength	250V AC for 1 min.
	Contact resistance	100mΩ max.
Durability	Lifetime	100,000 Cycles
Mechanical performance	Operating force	180gf 250gf
	Travel	0.25 ± 0.1mm

PART NUMBER: SMD-6262-10-WP

DESCRIPTION: 6.2X6.2X2.3mm 6.2X6.2 SMD TACT SWITCH WATERPROOF



Dimensional tolerance +/- 0.2mm

PRAN ELECTRONICS PVT. LTD. INDIA.

REV.00 DATE 08/04/2020