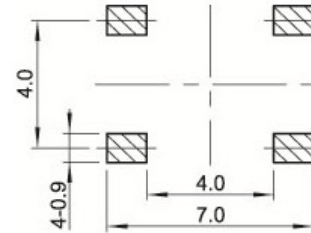
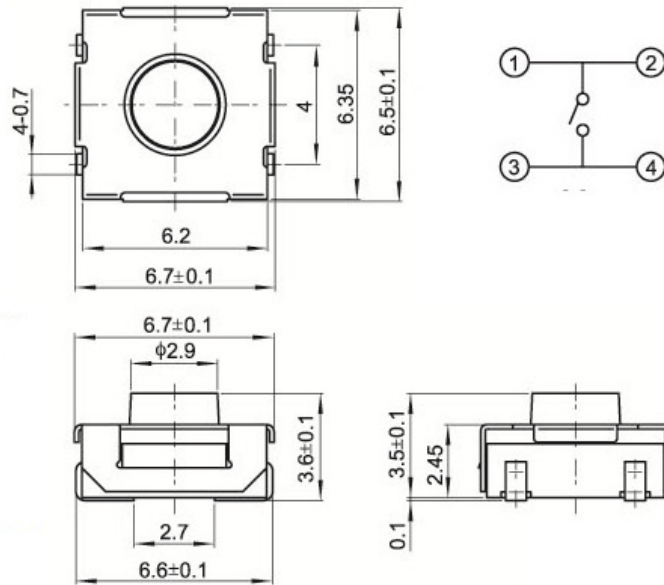


PART NUMBER: SMD-6262-06

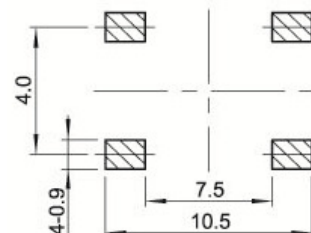
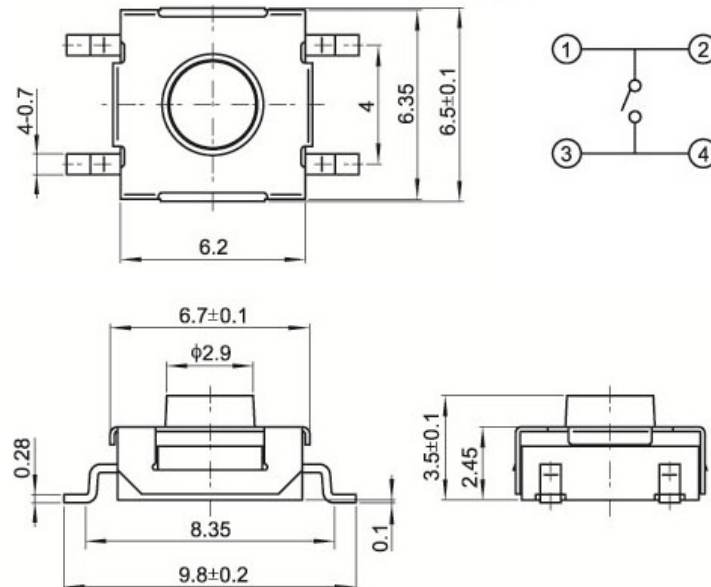
DESCRIPTION: 6.2X6.2X3.5mm 6.2X6.2 SMD TACT SWITCH

ROHS COMPLIANT



PART NUMBER: SMD-6262-07

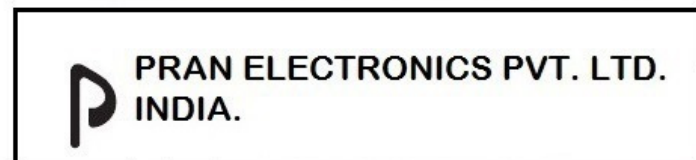
DESCRIPTION: 6.2X6.2X3.5mm 6.2X6.2 SMD TACT SWITCH



SPECIFICATIONS

Items		Standard
Operating temperature range		-30°C to +85°C
Electrical performance	Rating	50mA, 12V DC
	Insulation resistance	100MΩ min. 100V DC
	Dielectric strength	250V AC for 1 min.
	Contact resistance	100mΩ max.
Durability	Lifetime	300,000 Cycles
Mechanical performance	Operating force	160gf 250gf
	Travel	0.35 ± 0.1mm

Dimensional tolerance +/- 0.2mm



REV.00 DATE 10/04/2020