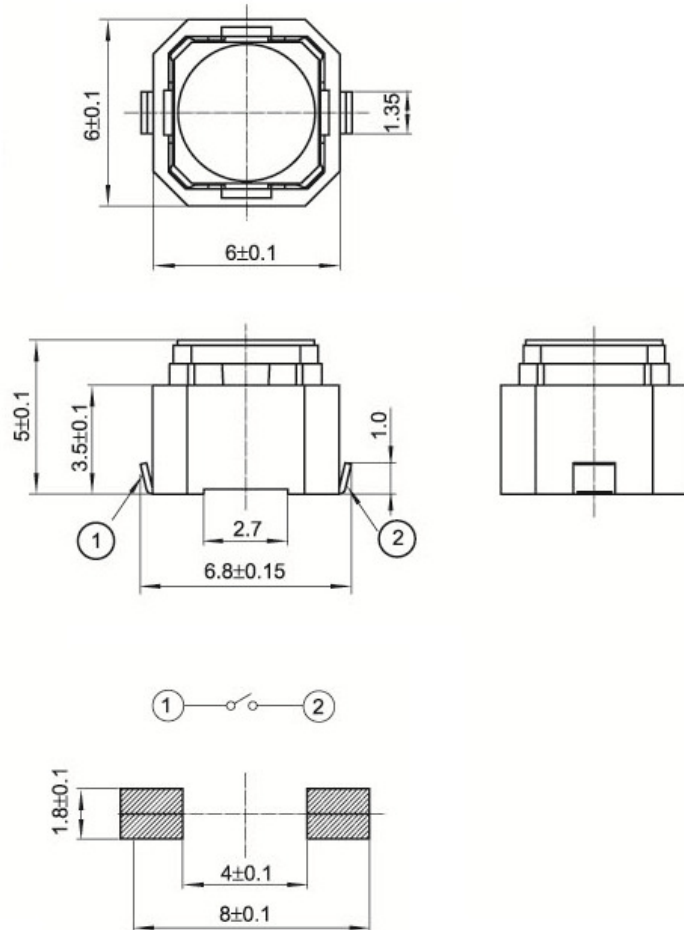


PART NUMBER: SMD-6060-02

DESCRIPTION: 6X6X5.0mm 6X6 SMD TACT SWITCH WITH LONG TRAVEL SOFT FEEL

ROHS COMPLIANT

LONG TRAVEL
SOFT FEEL



SPECIFICATIONS

Items		Standard
Operating temperature range		-40°C to $+85^{\circ}\text{C}$
Electrical performance	Rating	50mA, 12V DC
	Insulation resistance	100M Ω min. 100V DC
	Dielectric strength	250V AC for 1 min.
	Contact resistance	100m Ω max.
Durability	Lifetime	100,000 Cycles
Mechanical performance	Operating force	160gf 250gf
	Travel	1.30 ± 0.1 mm

Dimensional tolerance +/- 0.2mm