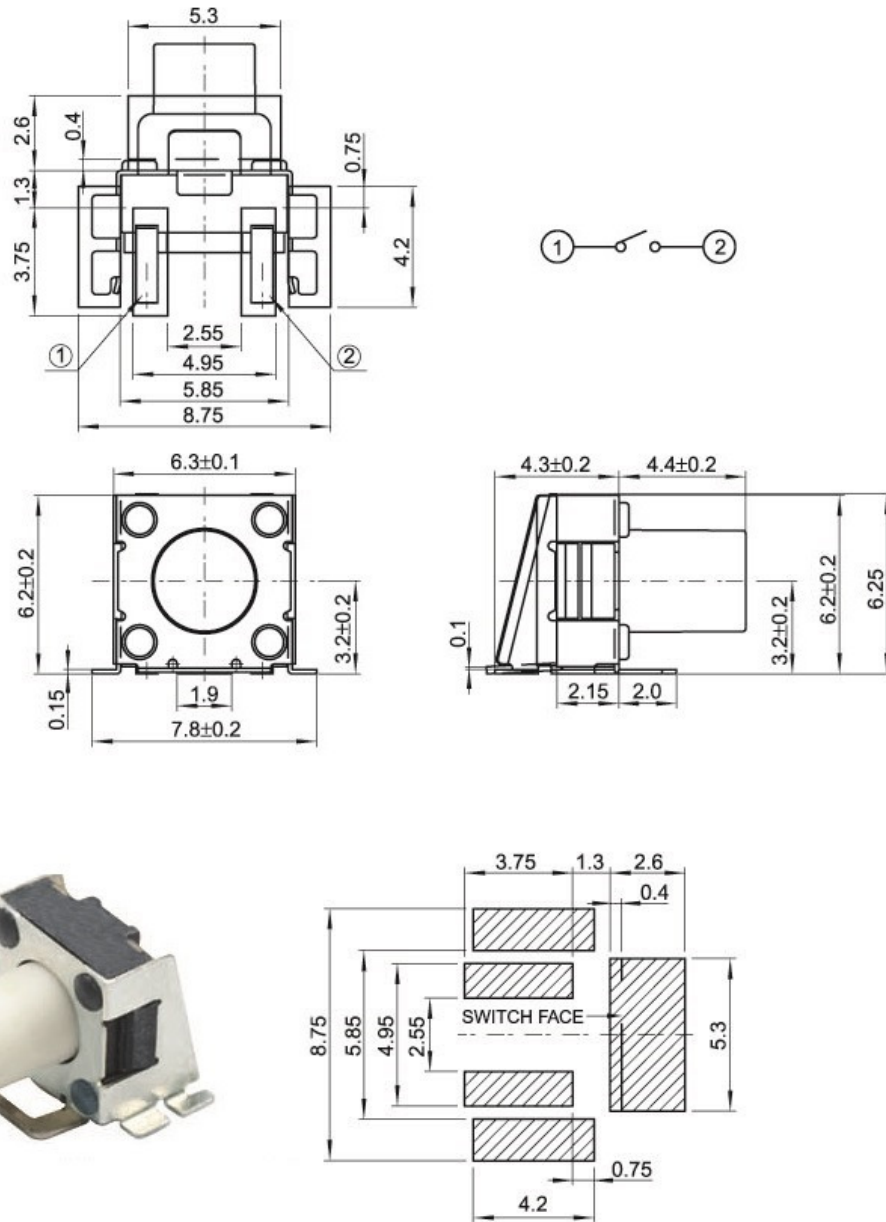


PART NUMBER: SMD-6060-01

DESCRIPTION: 6X6X7.4mm 6X6 SMD TACT SWITCH WITH BRACKET SIDE PRESS

ROHS COMPLIANT



SPECIFICATIONS

Items		Standard
Operating temperature range		-20°C to +70°C
Electrical performance	Rating	50mA. 12V DC
	Insulation resistance	100MΩ min. 100V DC
	Dielectric strength	250V AC for 1 min.
	Contact resistance	100mΩ max.
Durability	Lifetime	30,000 Cycles
Mechanical performance	Operating force	250gf 320gf
	Travel	0.30 ± 0.1mm

Dimensional tolerance +/- 0.2mm