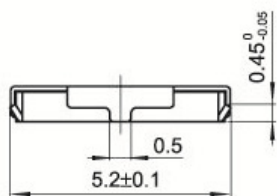
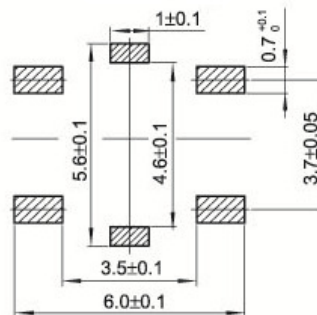
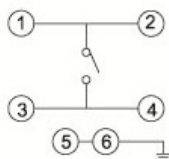
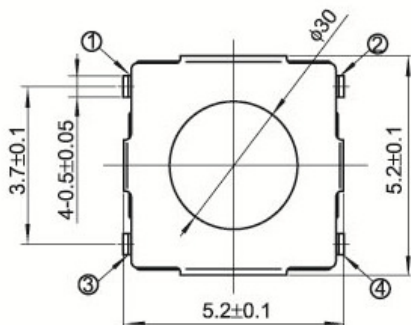
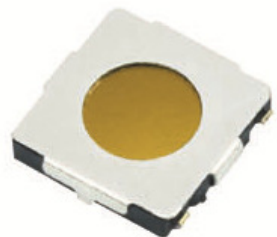


PART NUMBER: SMD-5252-01

DESCRIPTION: 5.2X5.2X0.9mm 5.2x5.2 SMD TACT SWITCH



ROHS COMPLIANT

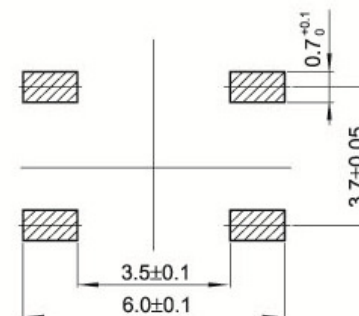
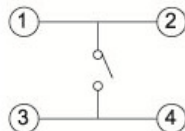
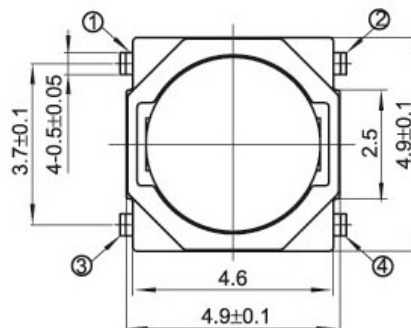
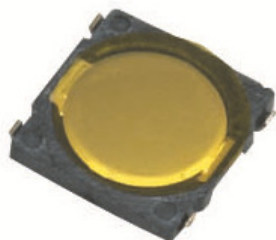
LOW PROFILE

SPECIFICATIONS

Items		Standard
Operating temperature range		-20°C to +70°C
Electrical performance	Rating	50mA, 12V DC
	Insulation resistance	100MΩ min. 100V DC
	Dielectric strength	100V AC for 1 min.
	Contact resistance	100mΩ max.
Durability	Lifetime	200,000 Cycles
Mechanical performance	Operating force	160gf 250gf
	Travel	0.25 ± 0.1mm

PART NUMBER: SMD-5252-02

DESCRIPTION: 5.2X5.2X0.8mm 5.2X5.2 SMD TACT SWITCH



Dimensional tolerance +/- 0.2mm

PRAN ELECTRONICS PVT. LTD.
INDIA.