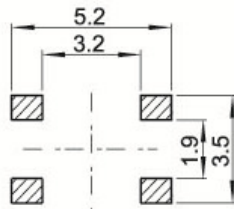
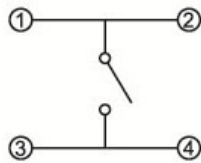
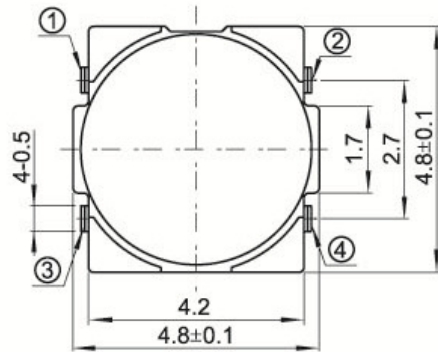
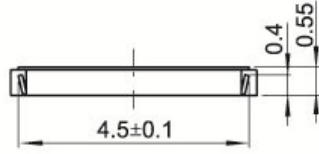
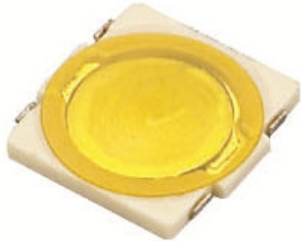


PART NUMBER: SMD-4848-01

DESCRIPTION: 4.8X4.8X0.55 4.8X4.8 SMD TACT SWITCH

ROHS COMPLIANT

LOW PROFILE



SPECIFICATIONS

Items		Standard
Operating temperature range		-20°C to +70°C
Electrical performance	Rating	50mA. 12V DC
	Insulation resistance	100MΩ min. 100V DC
	Dielectric strength	100V AC for 1 min.
	Contact resistance	100mΩ max.
Durability	Lifetime	200,000 Cycles
Mechanical performance	Operating force	160gf 250gf
	Travel	0.20 ± 0.05mm

Dimensional tolerance +/- 0.2mm

PRAN ELECTRONICS PVT. LTD.
INDIA.