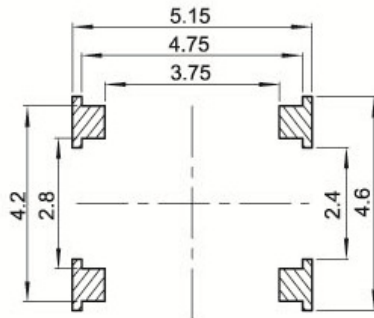
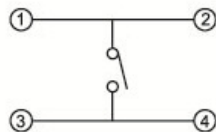
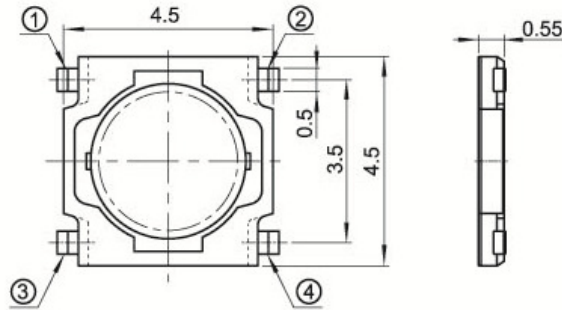
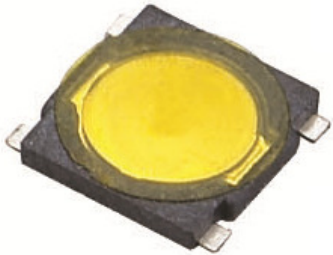


PART NUMBER-SMD-4545-04

DESCRIPTION: 4.5X4.5X0.55mm 4.5X4.5 SMD TACT SWITCH

ROHS COMPLIANT

LOW PROFILE



SPECIFICATIONS

Items		Standard
Operating temperature range		-20°C to +70°C
Electrical performance	Rating	50mA, 12V DC
	Insulation resistance	100MΩ min. 100V DC
	Dielectric strength	100V AC for 1 min.
	Contact resistance	100mΩ max.
Durability	Lifetime	200,000 Cycles
Mechanical performance	Operating force	160gf 250gf
	Travel	0.15 ± 0.05mm

Dimensional tolerance +/- 0.2mm