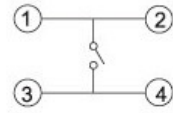
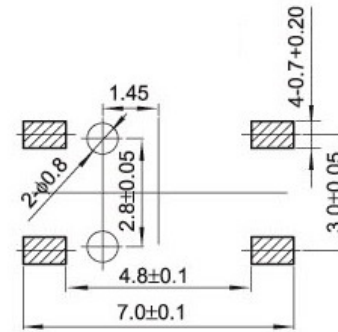
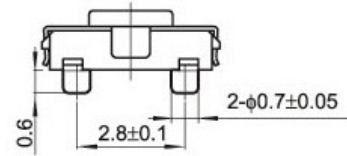
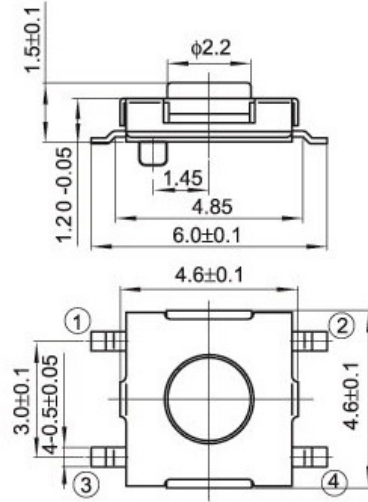
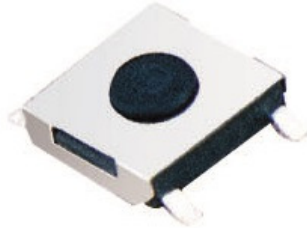


PART NUMBER: SMD-4545-02

DESCRIPTION: 4.5X4.5X1.6mm 4.5X4.5 SMD TACT SWITCH

ROHS COMPLIANT

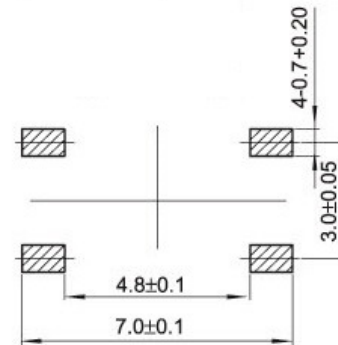
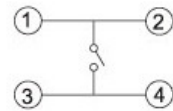
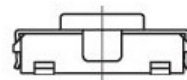
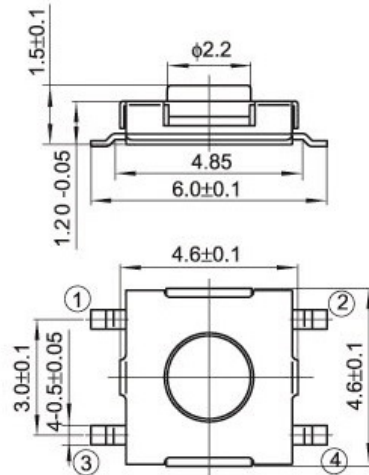


SPECIFICATIONS

Items		Standard
Operating temperature range		-30°C to +85°C
Electrical performance	Rating	50mA, 12V DC
	Insulation resistance	100MΩ min. 100V DC
	Dielectric strength	250V AC for 1 min.
	Contact resistance	100mΩ max.
Durability	Lifetime	100,000 Cycles
Mechanical performance	Operating force	160gf 250gf
	Travel	0.15 ± 0.05mm

PART NUMBER: SMD-4545-03

DESCRIPTION: 4.5X4.5X1.6mm 4.5X4.5 SMD TACT SWITCH



Dimensional tolerance +/- 0.2mm



**PRAN ELECTRONICS PVT. LTD.
INDIA.**