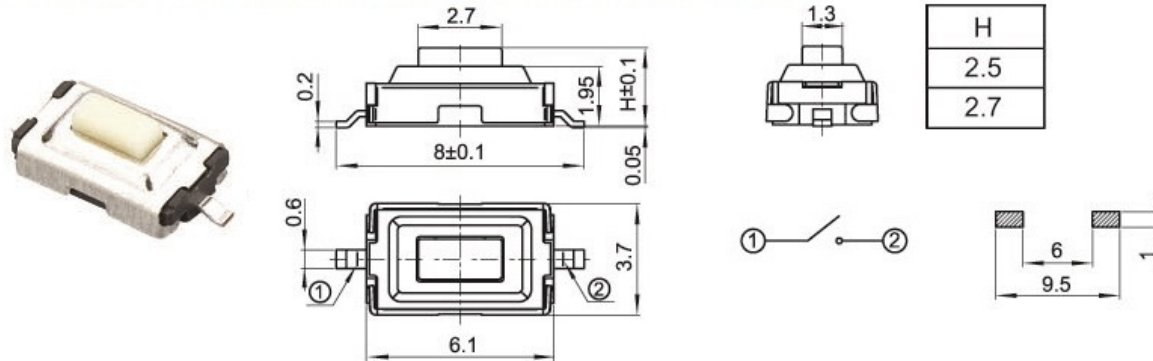


PART NUMBER: SMD-3560-07 -DP

DESCRIPTION: 3.7X6.1X2.5mm 3.5x6.0 SMD TACT SWITCH

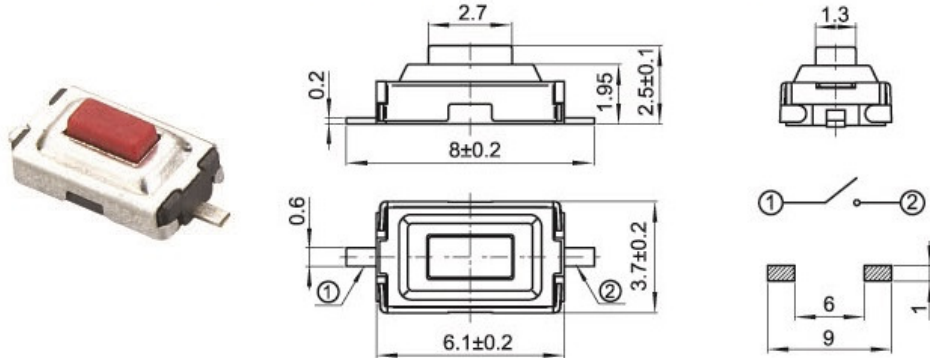


ROHS COMPLIANT

DUST PROOF

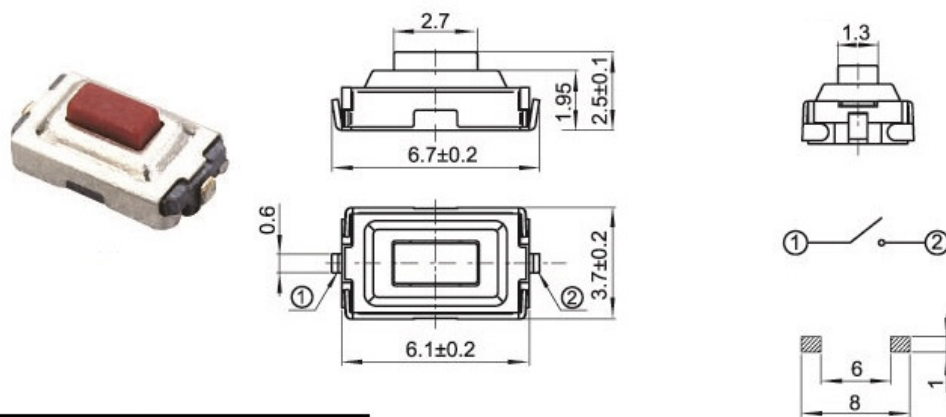
PART NUMBER: SMD-3560-08 -DP

DESCRIPTION: 3.7X6.1X2.5mm 3.5x6.0 SMD TACT SWITCH



PART NUMBER: SMD-3560-09-DP

DESCRIPTION: 3.7X6.1X2.5mm 3.5x6.0 SMD TACT SWITCH



SPECIFICATIONS

Items		Standard
Operating temperature range		-30°C to +85°C
Electrical performance	Rating	50mA, 12V DC
	Insulation resistance	100MΩ min. 100V DC
	Dielectric strength	250V AC for 1 min.
	Contact resistance	100mΩ max.
Durability	Lifetime	30,000 Cycles
Mechanical performance	Operating force	180gf 250gf
	Travel	0.25 ± 0.1mm

Dimensional tolerance +/- 0.2mm

P

PRAN ELECTRONICS PVT. LTD.
INDIA.