



PRAN ELECTRONICS PVT. LTD.

52. GIDC. Makarpura. Vadodara - 390 010. India.

Phone : +91 265 2635918, 2635920, 9727158028

E-mail : info@pranelectronics.com Web : www.pranelectronics.com

AN ISO 9001 : 2008 COMPANY

CIN NO:U32100GJ1998PTC092136

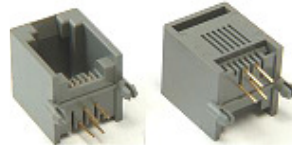
Modular Jack 623A:

RoHS Compliant

Detail specifications and test conditions

Description: PCB Mounting Modular Jack

Code: JP-623A-6P2C/4C/6C



Sr. No.	Item	Test Conditions	Criteria
ELECTRICAL SPECIFICATONS			
1.	Contact Resistance	Voltage drop Method 5 VDC, 10mA	40 milli Ohms Maximum
2.	Proof Voltage	1000 VAC Duration: 1 Minute	No breakdown
3.	Insulation Resistance	500 VDC Duration: 1 Minute	100 Mega Ohms Minimum
4.	Voltage rating	125V AC	125V AC
5.	Current rating	1.5A	1.5A
MATERIAL SPECIFICATONS			
4.	Housing	PBT, ABS	Thermo plastic
5.	Contact Material	Phosphor Bronze	0.45 dia. +/- 0.01mm
6.	Contact Plating	Gold plating	Gold Plating
MECHANICAL SPECIFICATONS			
7.	Mating Force	4 Contacts – 500 Grams	500 Grams
8.	Retention Force	Between Jack and Plug	7.7 Kgs.
ENDURANCE SPECIFICATION			
9.	Operating Life	5 VDC at 5 mA, resistive load Rate of operation: 2 to 3 operations per second Cycles of Operation: 600	Minimum 600 Cycles
ENVIRONMENTAL			
10.	Storage Temp.	-40 to 85 Deg. C	-40 to 85 Deg. C
11.	Operating Temp.	-40 to 85 Deg. C	-40 to 85 Deg. C



PRAN ELECTRONICS PVT. LTD.

52, GIDC, Makarpura, Vadodara - 390 010, India.

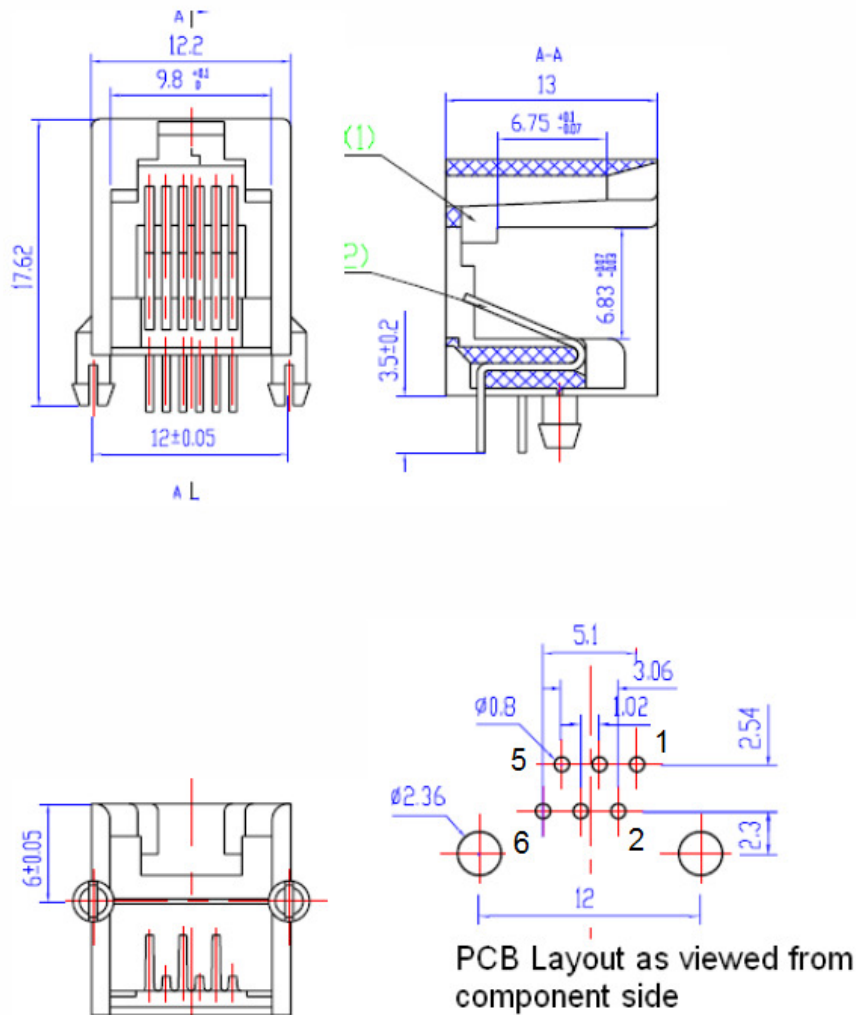
Phone : +91 265 2635918, 2635920, 9727158028

E-mail : info@pranelectronics.com Web : www.pranelectronics.com

AN ISO 9001 : 2008 COMPANY

CIN NO:U32100GJ1998PTC092136

Modular Jack 623A: Drawing



JP – 623A – 6P6C = All 6 contacts loaded pin nos. 1 to 6

JP – 623A – 6P4C = Center 4 contacts loaded pin nos. 2,3,4,5

JP – 623A – 6P2C = Center 2 contacts loaded pin nos. 3 and 4

Rev. 01 date 16/7/2014, pin nos. added

Rev. 02 date 11/01/2018, Voltage & Current rating added

Rev. 03 date 26/04/2018, Storage & Operating temperature added