

**ELECTRICAL:**

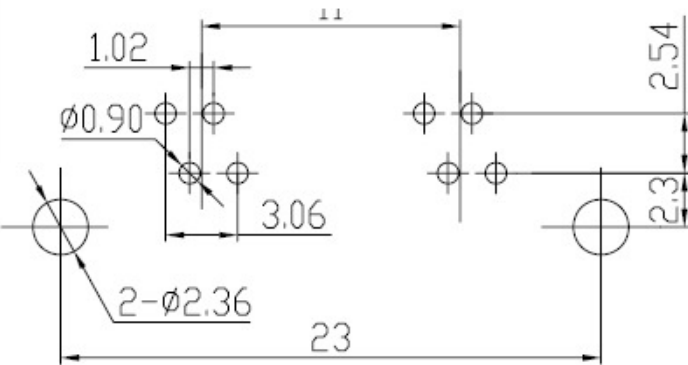
- |                          |                                    |
|--------------------------|------------------------------------|
| 1. VOLTAGE RATING        | : 125 VAC RMS.                     |
| 2. CURRENT RATING        | : 1.5 AMP.                         |
| 3. CONTACT RESISTANCE    | : 30 MILLIOHMS MAX.                |
| 4. INSULATION RESISTANCE | : 500 MEGOHMS MIN @ 500 VDC.       |
| 5. DIELECTRIC STRENGTH   | : 1000 VAC RMS 50Hz or 60Hz, 1MIN. |

**MECHANICAL:**

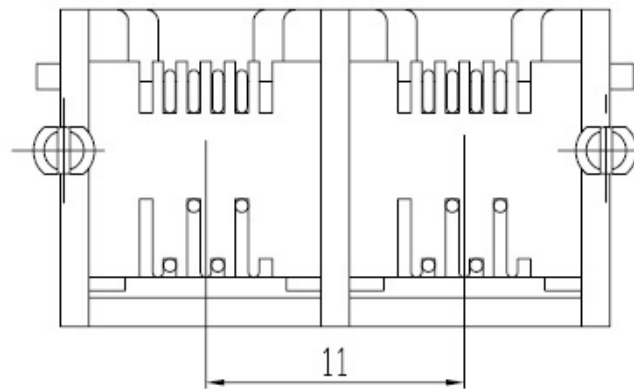
- |                              |  |
|------------------------------|--|
| 1. HOUSING & INSERT MATERIAL | : PBT UL94V-0.   |
| 2. CONTACT MATERIAL          | : DIAMETER 0.45MM PHOSPHOR BRONZE<br>GOLD PLATING OVER NICKEL. |
| 3. MATING/UNMATING FORCE     | : 2.2KG. F MAX.  |
| 4. RETENTION STRENGTH        | : 7.7KG. F MIN BETWEEN JACK AND PLUG.                          |
| 5. OPERATING LIFE            | : 600 CYCLES MIN.  |

**ENVIRONMENTAL:**

- |              |  |
|--------------|--|
| 1. STORAGE   | : -10°C ~ +40°C RELATIVE HUMIDITY<70%. |
| 2. OPERATION | : -40°C ~ +85°C.                       |



PC Board Layout



Part Code: JP-623A-6P4C-2P

Description:  
2 Port side entry 6P4C modular jack



**Pran Electronics Pvt. Ltd.**  
52 G.I.D.C. Makarpura  
Vadodara 390 010. INDIA.