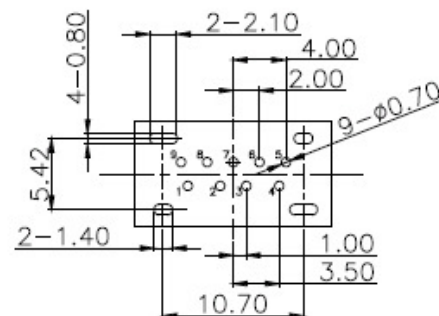
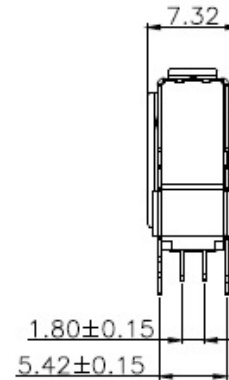
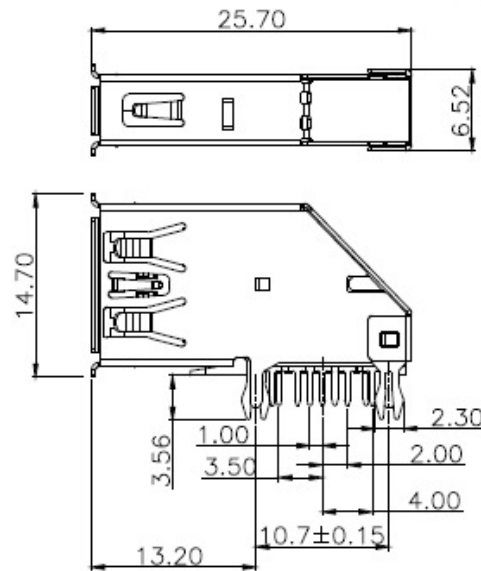
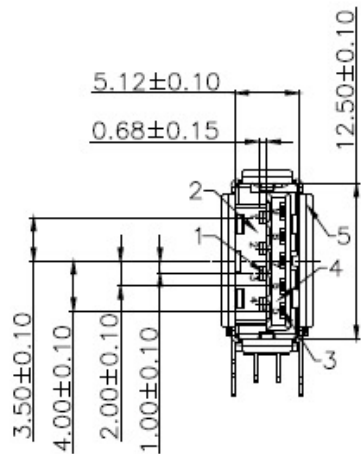
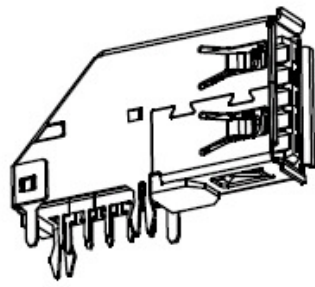


ROHS COMPLIANT



1. ELECTRICAL:
  - 1-1, CONTACT VOLTAGE & CURRENT RATING: 30V AC 1.8A MAX.
  - 1-2, CONTACT RESISTANCE: 30mΩ
  - 1-3, DIELECTRIC WITHSTANDING VOLTAGE: 500V AC for 1min.
  - 1-4, INSULATION RESISTANCE: 500V DC 1000MΩ MIN.
2. MECHANICAL:
  - 2-1, INSERTION FORCE: 35N MAX.
  - 2-2, EXTRACTION FORCE: 10N MIN.
3. ENVIRONMENTAL;
  - 3-1, OPERATING TEMPERATURE: -25°C TO +85°C
4. SOLDERING HEAT: TEMP: 260+5/-0°C  
DIPPING TIMP: 10±0.5SEC NO DEFORMATION OF THE OUTLINE
5. OR THE TERMINAL CONTACT PIN, THE ELECTRICAL AND MECHANICAL, CHARACTERISTIC SATISFIED  
Durability: 3000cycles.

PART NUMBER: USB-AF-30-010

DESCRIPTION: USB A 3.0 UPRIGHT VERTICAL

DIMENSION TOLERANCE +/- 0.2mm

REV. 0 DATE 28/04/2020

RECOMMENDED P.C.B HOLE LAYOUT

**P** PRAN ELECTRONICS PVT. LTD.  
INDIA.