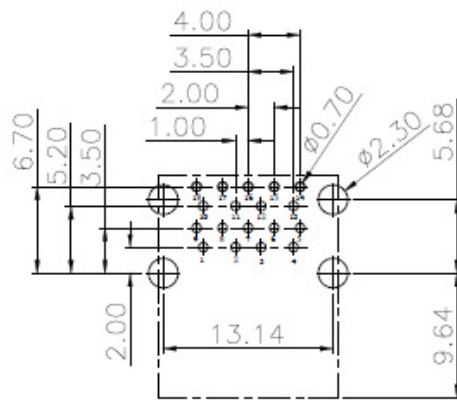
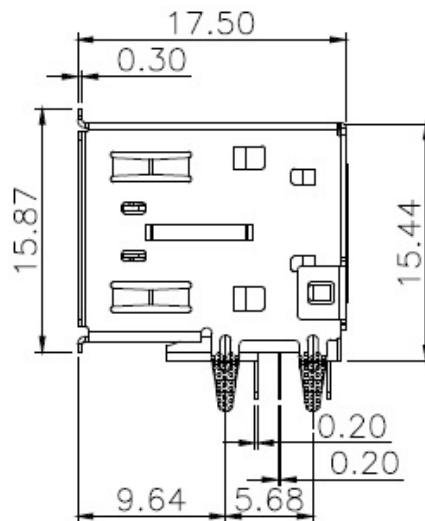
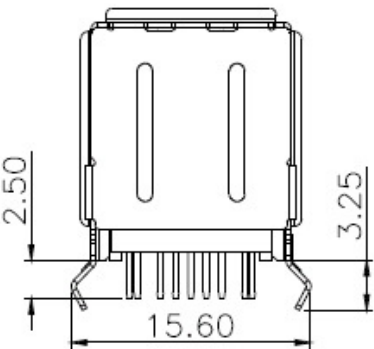
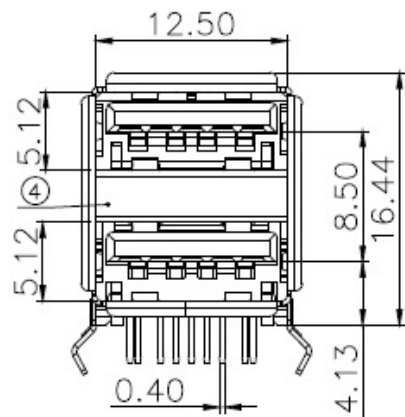
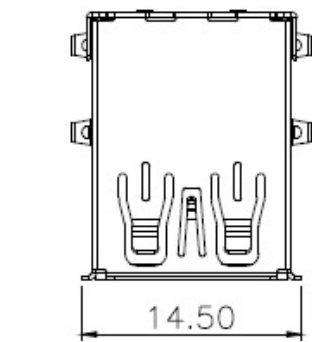


ROHS COMPLIANT



RECOMMENDED P.C.B HOLE LAYOUT


1. ELECTRICAL:  
1-1, CONTACT VOLTAGE & CURRENT RATING: 30V AC 1.8A MAX.  
1-2, CONTACT RESISTANCE: 30m $\Omega$   
1-3, DIELECTRIC WITHSTANDING VOLTAGE: 500V AC for 1min.  
1-4, INSULATION RESISTANCE: 500V DC 1000M $\Omega$  MIN.
2. MECHANICAL:  
2-1, INSERTION FORCE: 35N MAX.  
2-2, EXTRACTION FORCE: 10N MIN.
3. ENVIRONMENTAL;  
3-1, OPERATING TEMPERATURE: -25 $^{\circ}$ C TO +85 $^{\circ}$ C
4. SOLDERING HEAT: TEMP: 260+5/-0 $^{\circ}$ C  
DIPPING TIMP: 10 $\pm$ 0.5SEC NO DEFORMATION OF THE OUTLINE  
OR THE TERMINAL CONTACT PIN, THE ELECTRICAL AND  
MECHANICAL, CHARACTERISTIC SATISFIED  
Durability: 3000cycles.

PART NUMBER: USB-AF-30-004

DESCRIPTION: USB A 3.0 90 DEG. 1X2 DUAL  
STACKED CONNECTOR WITH EDGE CURL

DIMENSION TOLERANCE +/- 0.2mm

REV. 0 DATE 28/04/2020

 PRAN ELECTRONICS PVT. LTD.  
INDIA.