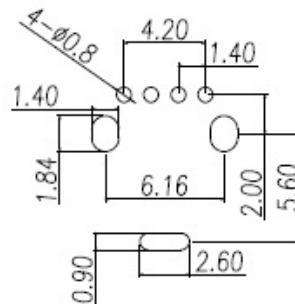
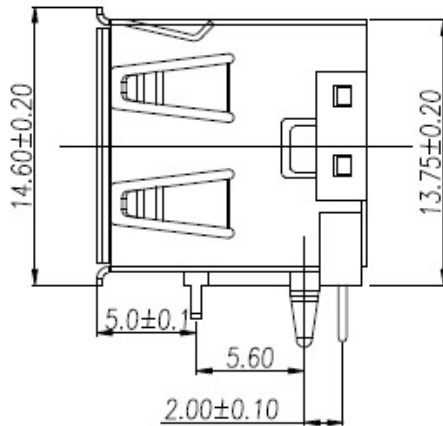
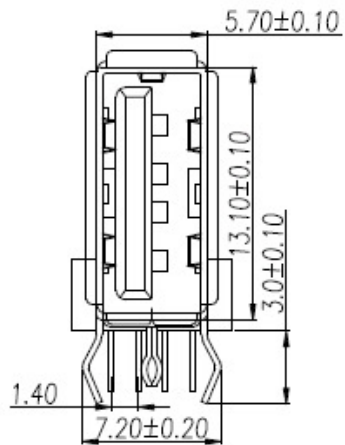
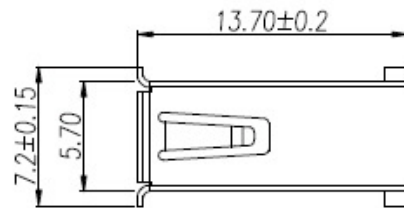


ROHS COMPLIANT



RECOMMENDED P.C.B HOLE LAYOUT

1.ELECTRICAL CHARACTERISTICS:

- 1-1.RATING: DC 30V 1.5A
- 1-2.CONTACT RESISTANCE: $\leq 30\text{m}\Omega$
- 1-3.INSULATION RESISTANCE: $\geq 1000\text{M}\Omega$ DC 500V
- 1-4.WITHSTANDING VOLTAGE: AC 500V 1min
- 1-5.LIFE: 5,000 CYCLES

2.MECHANICAL CHARACTERISTICS:

- 2-1.INSERTION FORCE: 35N Max
- EXTRACTION FORCE: 10N Min

3.Finish:

3-1.TERMINAL:

GOLD $< 1\mu\text{m}$ PLATING ON CONTACT AREA
TIN $< 2-5\mu\text{m}$ PLATING ON OTHER AREA
NICKEL $< 1-3\mu\text{m}$ UNDERPLATING OVERALL

3-2.SHELL:

NICKEL $< 1-3\mu\text{m}$ PLATING

PART NUMBER: USB-AF-20-037

DESCRIPTION: USB A 2.0 UPRIGHT VERTICAL
13.7MM WITH EDGE CURL

DIMENSION TOLERANCE +/- 0.2mm

REV. 0 DATE 28/04/2020

 PRAN ELECTRONICS PVT. LTD.
INDIA.