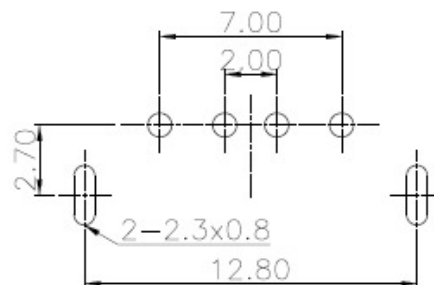
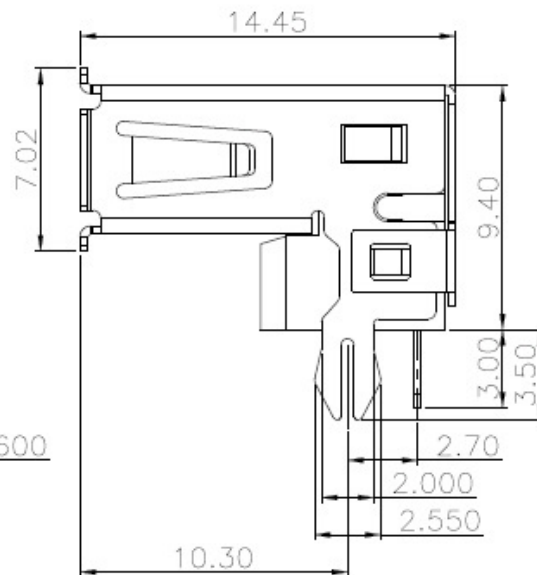
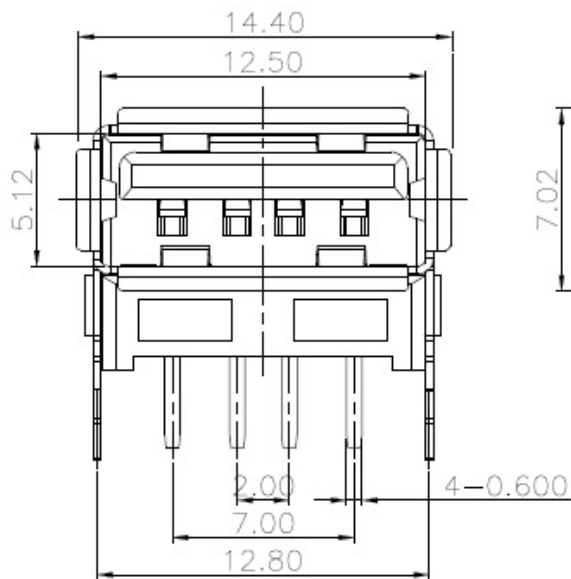


ROHS COMPLIANT



RECOMMENDED P.C.B HOLE LAYOUT

1. ELECTRICAL CHARACTERISTICS:

- 1-1. RATING: DC 30V 1.5A
- 1-2. CONTACT RESISTANCE: $\leq 30\text{m}\Omega$
- 1-3. INSULATION RESISTANCE: $\geq 1000\text{M}\Omega$ DC 500V
- 1-4. WITHSTANDING VOLTAGE: AC 500V 1min
- 1-5. LIFE: 5,000 CYCLES

2. MECHANICAL CHARACTERISTICS:

- 2-1. INSERTION FORCE: 35N Max
- EXTRACTION FORCE: 10N Min

3. Finish:

3-1. TERMINAL:

GOLD $<1\mu\text{m}>$ PLATING ON CONTACT AREA
TIN $<2-5\mu\text{m}>$ PLATING ON OTHER AREA
NICKEL $<1-3\mu\text{m}>$ UNDERPLATING OVERALL

3-2. SHELL:

NICKEL $<1-3\mu\text{m}>$ PLATING

PART NUMBER: USB-AF-20-032

DESCRIPTION: USB A 2.0 90 DEG. 14.5mm LONG
HEIGHT WITH EDGE CURL

DIMENSION TOLERANCE +/- 0.2mm

REV. 0 DATE 28/04/2020

**P PRAN ELECTRONICS PVT. LTD.
INDIA.**