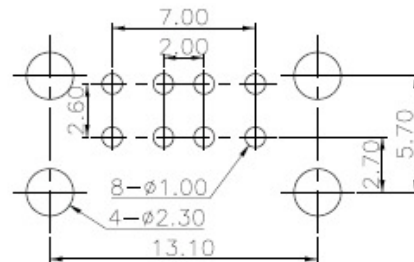
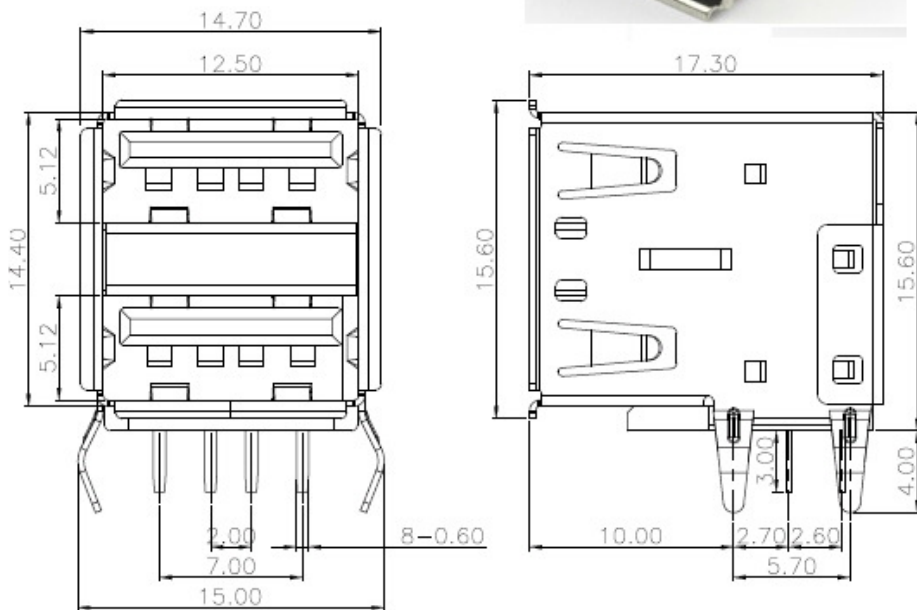


ROHS COMPLIANT



RECOMMENDED P.C.B HOLE LAYOUT

### 1.ELECTRICAL CHARACTERISTICS:

- 1-1.RATING: DC 30V 1.5A
- 1-2.CONTACT RESISTANCE: $\leq 30\text{m}\Omega$
- 1-3.INSULATION RESISTANCE: $\geq 1000\text{M}\Omega$  DC 500V
- 1-4.WITHSTANDING VOLTAGE:AC 500V 1min
- 1-5.LIFE:5,000 CYCLES

### 2.MECHANICAL CHARACTERISTICS:

- 2-1.INSERTION FORCE:35N Max
- EXTRACTION FORCE:10N Min

### 3.Finish:

#### 3-1.TERMINAL:

GOLD<1u"> PLATING ON CONTACT AREA  
TIN<2-5 $\mu$ m> PLATING ON OTHER AREA  
NICKEL<1-3 $\mu$ m> UNDERPLATING OVERALL

#### 3-2.SHELL:

NICKEL<1-3 $\mu$ m> PLATING

PART NUMBER: USB-AF-20-029

DESCRIPTION: USB A 2.0 90 DEG. DUAL 1X2  
STACKED CONNECTOR WITH EDGE CURL

DIMENSION TOLERANCE +/- 0.2mm

 PRAN ELECTRONICS PVT. LTD.  
INDIA.

REV. 0 DATE 28/04/2020