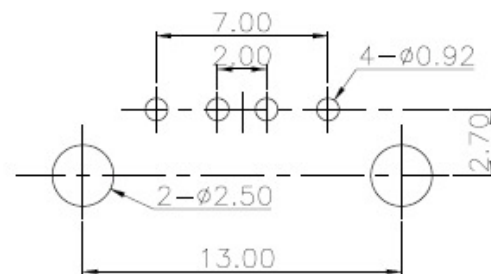
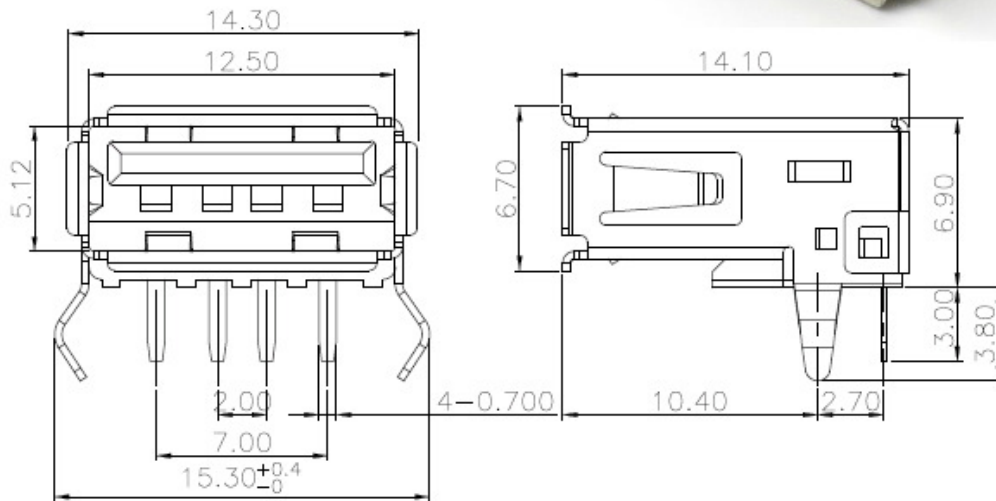


ROHS COMPLIANT



RECOMMENDED P.C.B HOLE LAYOUT

1.ELECTRICAL CHARACTERISTICS:

- 1-1.RATING: DC 30V 1.5A
- 1-2.CONTACT RESISTANCE: \leq 30m Ω
- 1-3.INSULATION RESISTANCE: \geq 1000M Ω DC 500V
- 1-4.WITHSTANDING VOLTAGE:AC 500V 1min
- 1-5.LIFE:5,000 CYCLES

2.MECHANICAL CHARACTERISTICS:

- 2-1.INSERTION FORCE:35N Max
- EXTRACTION FORCE:10N Min

3.Finish:

3-1.TERMINAL:

GOLD<1u" > PLATING ON CONTACT AREA
TIN<2-5 μ m > PLATING ON OTHER AREA
NICKEL<1-3 μ m > UNDERPLATING OVERALL

3-2.SHELL:


NICKEL<1-3 μ m > PLATING

PART NUMBER: USB-AF-20-031

DESCRIPTION: USB A 2.0 90 DEG. 14MM
WITH EDGE CURL

DIMENSION TOLERANCE +/- 0.2mm

REV. 0 DATE 28/04/2020

 PRAN ELECTRONICS PVT. LTD.
INDIA.