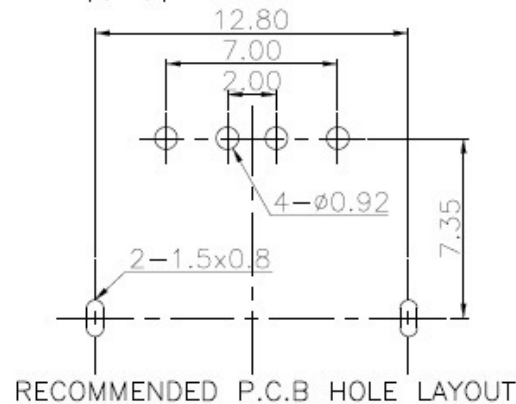
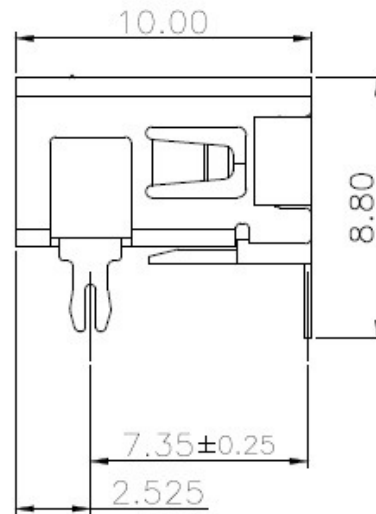
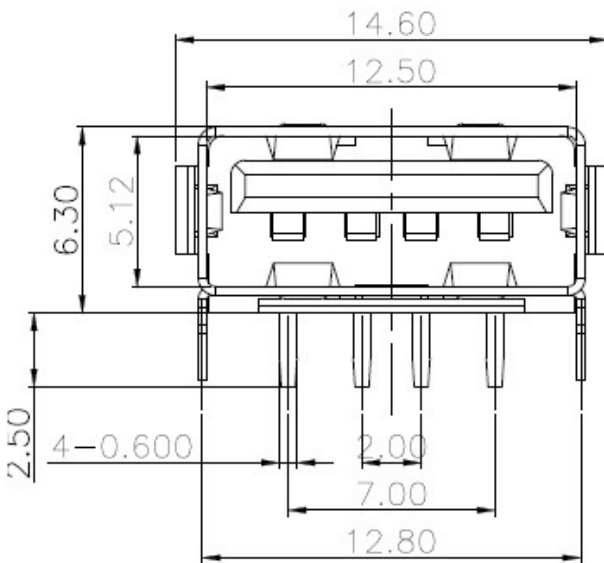
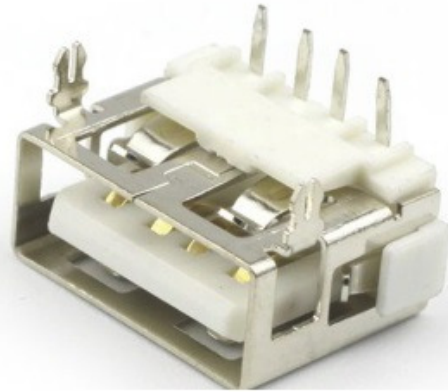


ROHS COMPLIANT



### 1.ELECTRICAL CHARACTERISTICS:

- 1-1.RATING: DC 30V 1.5A
- 1-2.CONTACT RESISTANCE:  $\leq 30\text{m}\Omega$
- 1-3.INSULATION RESISTANCE:  $\geq 1000\text{M}\Omega$  DC 500V
- 1-4.WITHSTANDING VOLTAGE: AC 500V 1min
- 1-5.LIFE: 5,000 CYCLES

### 2.MECHANICAL CHARACTERISTICS:

- 2-1.INSERTION FORCE: 35N Max
- EXTRACTION FORCE: 10N Min

### 3.Finish:

#### 3-1.TERMINAL:

GOLD $\langle 1\mu\text{m}\rangle$  PLATING ON CONTACT AREA  
TIN $\langle 2-5\mu\text{m}\rangle$  PLATING ON OTHER AREA  
NICKEL $\langle 1-3\mu\text{m}\rangle$  UNDERPLATING OVERALL

#### 3-2.SHELL:


NICKEL $\langle 1-3\mu\text{m}\rangle$  PLATING

PART NUMBER: USB-AF-20-025

DESCRIPTION: USB A 2.0 90 DEG. 10MM  
WITHOUT EDGE CURL

DIMENSION TOLERANCE +/- 0.2mm

REV. 0 DATE 28/04/2020

 PRAN ELECTRONICS PVT. LTD.  
INDIA.