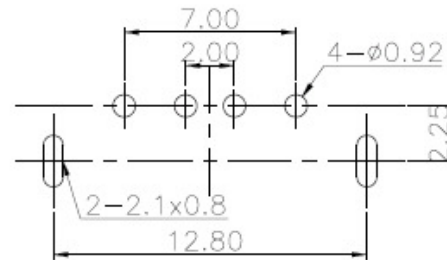
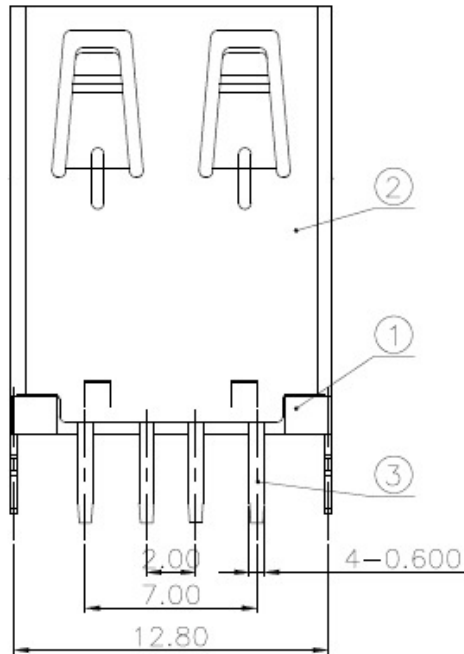
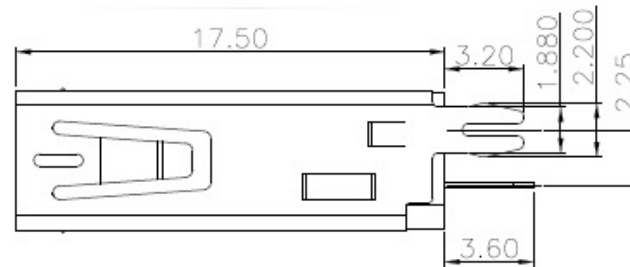
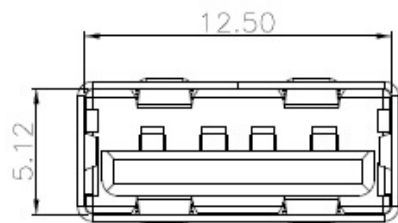
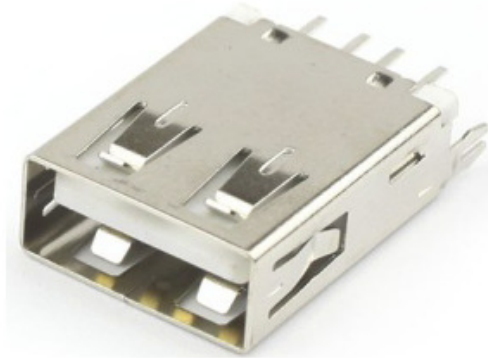


ROHS COMPLIANT



RECOMMENDED P.C.B HOLE LAYOUT

1.ELECTRICAL CHARACTERISTICS:

- 1-1.RATING: DC 30V 1.5A
- 1-2.CONTACT RESISTANCE: $\leq 30\text{m}\Omega$
- 1-3.INSULATION RESISTANCE: $\geq 1000\text{M}\Omega$ DC 500V
- 1-4.WITHSTANDING VOLTAGE:AC 500V 1min
- 1-5.LIFE:5,000 CYCLES

2.MECHANICAL CHARACTERISTICS:

- 2-1.INSERTION FORCE:35N Max
- EXTRACTION FORCE:10N Min

3.Finish:

3-1.TERMINAL:

GOLD $<1\mu\text{m}>$ PLATING ON CONTACT AREA
TIN $<2-5\mu\text{m}>$ PLATING ON OTHER AREA
NICKEL $<1-3\mu\text{m}>$ UNDERPLATING OVERALL

3-2.SHELL:

NICKEL $<1-3\mu\text{m}>$ PLATING

PART NUMBER: USB-AF-20-018

DESCRIPTION: USB A 2.0 180 DEG. 17.5MM
WITHOUT EDGE CURL

DIMENSION TOLERANCE $\pm 0.2\text{mm}$

REV. 0 DATE 28/04/2020

 PRAN ELECTRONICS PVT. LTD.
INDIA.