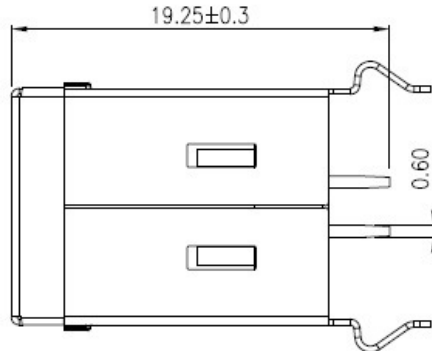
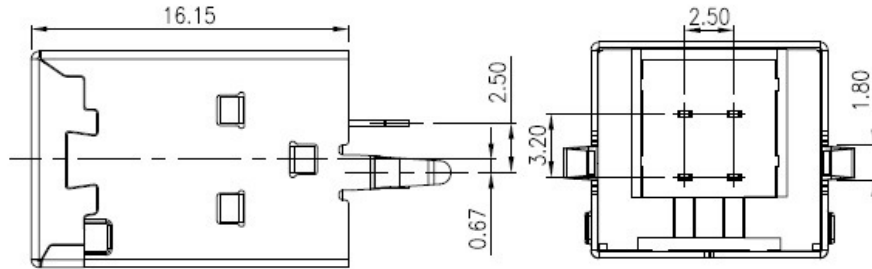
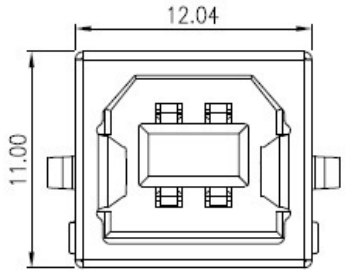


ROHS COMPLIANT



1. ELECTRICAL CHARACTERISTICS:

- 1-1. RATING: DC 30V 1.5A
- 1-2. CONTACT RESISTANCE: $\leq 30\text{m}\Omega$
- 1-3. INSULATION RESISTANCE: $\geq 1000\text{M}\Omega$ DC 500V
- 1-4. WITHSTANDING VOLTAGE: AC 500V 1min
- 1-5. LIFE: 5,000 CYCLES

2. MECHANICAL CHARACTERISTICS:

- 2-1. INSERTION FORCE: 35N Max
- EXTRACTION FORCE: 10N Min

3. Finish:

3-1. TERMINAL:

- GOLD $<1\mu\text{m}>$ PLATING ON CONTACT AREA
- TIN $<2-5\mu\text{m}>$ PLATING ON OTHER AREA
- NICKEL $<1-3\mu\text{m}>$ UNDERPLATING OVERALL

3-2. SHELL:


- NICKEL $<1-3\mu\text{m}>$ PLATING

DIMENSION TOLERANCE +/- 0.2mm

Part Code: USB-BF-180

Description: USB BF straight or top entry 180 degree connector

REV. 0 DATE 28/04/2020

 PRAN ELECTRONICS PVT. LTD.
INDIA.