

NOTE:

1,MECHANICAL:

SHIELD(CAGE) MATERIAL:

1. THICKNESS=0.25mm, COPPER ALLOY.
2. PLATED: NICKEL PLATED OVER COPPER

2, INSERTION AND EXTRACTION FORCE:40N MAX & 11.5 MAX

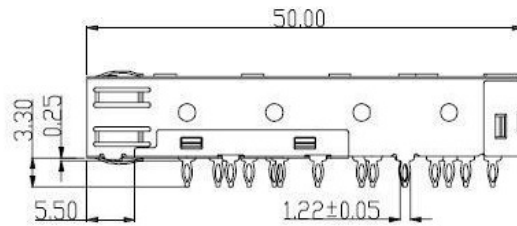
3, DURABILITY:100 CYCLES MIN

4, TEMPERATURE:

OPERATION: -55°C~ +105°C

STORAGE: -55°C~ +105°C

ROHS COMPLAINT

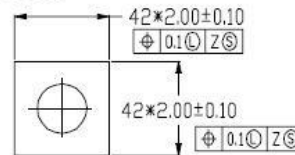
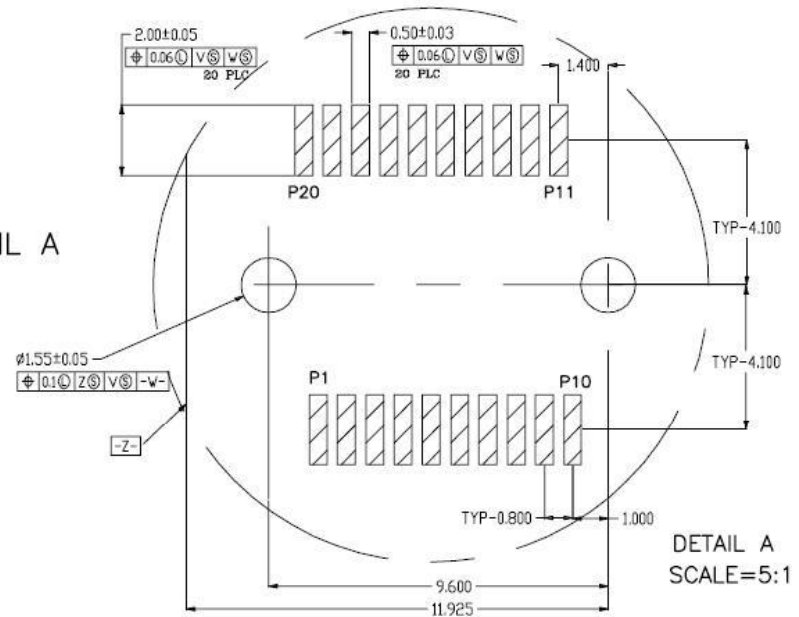
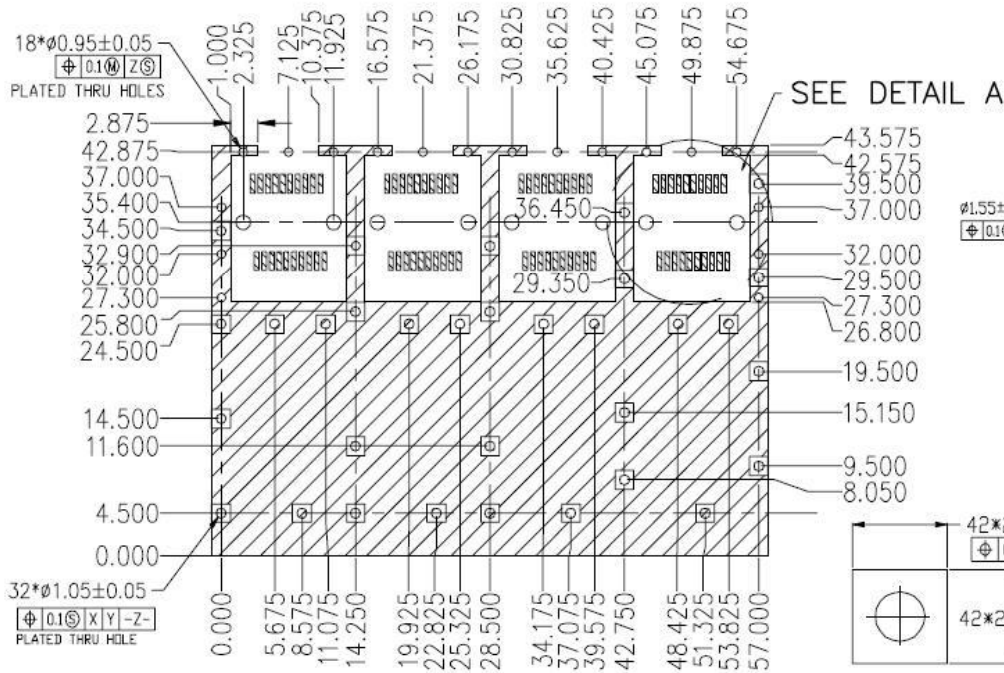
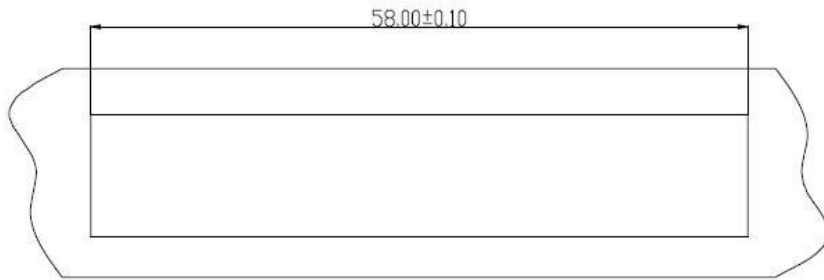


NEW Part Number: SFP 1x4  
 Old Part Number: SFP-014 CAGE  
 Description: SFP 1x4 CAGE

PRAN ELECTRONICS P. LTD.

TITLE SFP CAGE 1X4 PRESS-FIT

DRAWING NO. SFP-014	SIZE	REV
PART NO. SEE NOTE		0
DO NOT SCALE DRAWING	SHEET 1	OF 2



SCALE=5:1

PCB LAYOUT (TOP VIEW)

PRAN ELECTRONICS P. LTD.

TITLE SFP CAGE 1X4 PRESS-FIT

DRAWING NO. SFP-014 SIZE REV

PART NO. SEE NOTE

DO NOT SCALE DRAWING SHEET 2 OF 2