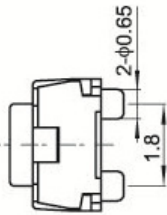
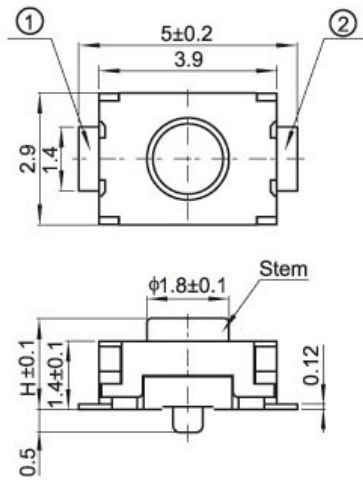


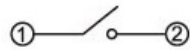
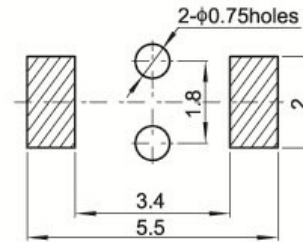
PART NUMBER: SMD-MINI-08

DESCRIPTION: 2.9X3.9 MINI SMD TACT SWITCH

ROHS COMPLIANT



H
1.5
2.0
2.5
3.0

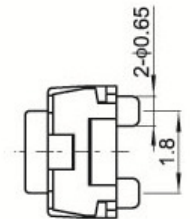
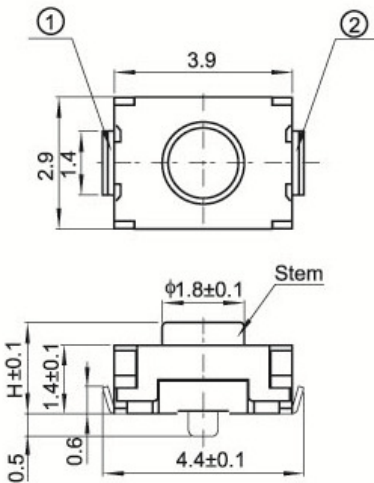


SPECIFICATIONS

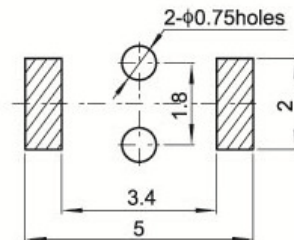
Items		Standard
Operating temperature range		-30°C to +85°C
Electrical performance	Rating	50mA, 12V DC
	Insulation resistance	100MΩ min. 100V DC
	Dielectric strength	250V AC for 1 min.
	Contact resistance	100mΩ max.
Durability	Lifetime	100,000 Cycles
Mechanical performance	Operating force	90gf 160gf 250gf
	Travel	0.13 ± 0.05mm

PART NUMBER: SMD-MINI-09

DESCRIPTION: 2.9X3.9 MINI SMD TACT SWITCH



H
1.5
2.0
2.5
3.0



Dimensional tolerance +/- 0.2mm

PRAN ELECTRONICS PVT. LTD.
INDIA.