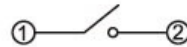
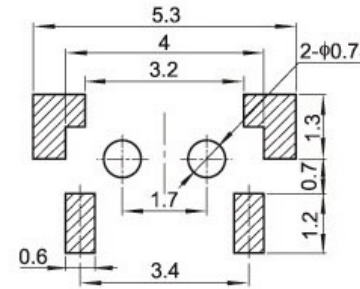
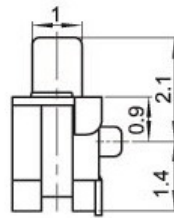
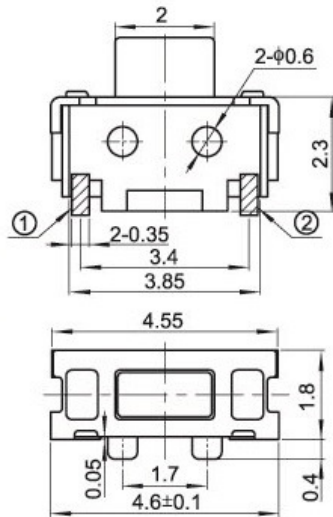


PART NUMBER: SMD-MINI-06

DESCRIPTION: 2.3X4.6X1.8mm MINI SMD TACT SWITCH SIDE PRESS

ROHS COMPLIANT

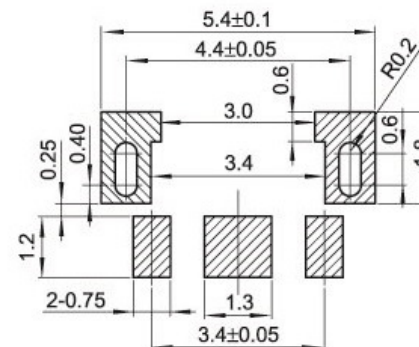
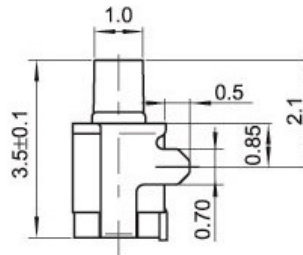
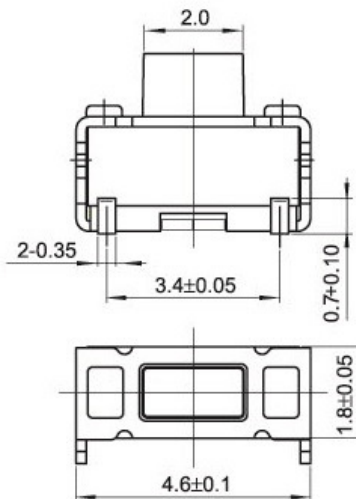


### SPECIFICATIONS


Items		Standard
Operating temperature range		-30°C to +85°C
Electrical performance	Rating	50mA, 12V DC
	Insulation resistance	100MΩ min. 100V DC
	Dielectric strength	250V AC for 1 min.
	Contact resistance	100mΩ max.
Durability	Lifetime	50,000 Cycles
Mechanical performance	Operating force	160gf 250gf
	Travel	0.15 ± 0.05mm

PART NUMBER: SMD-MINI-07

DESCRIPTION: 2.3X4.6X1.8mm MINI SMD TACT SWITCH SIDE PRESS



Dimensional tolerance +/- 0.2mm

 PRAN ELECTRONICS PVT. LTD.  
INDIA.