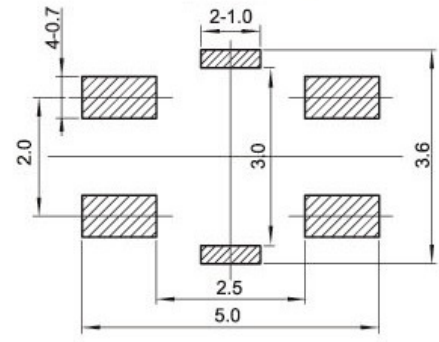
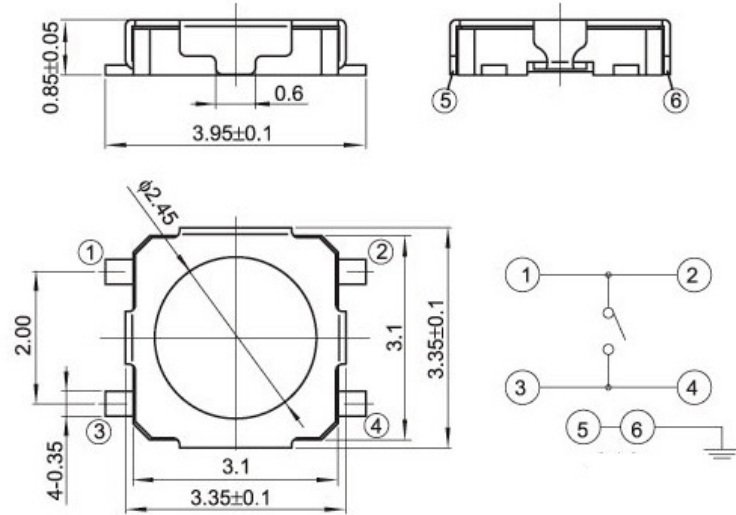
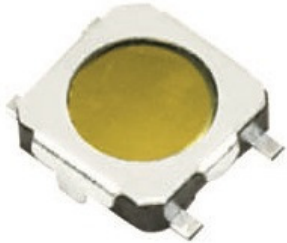


PART NUMBER: SMD-MINI-04

DESCRIPTION: 3.35X3.35X0.85mm MINI SMD TACT SWITCH

ROHS COMPLIANT

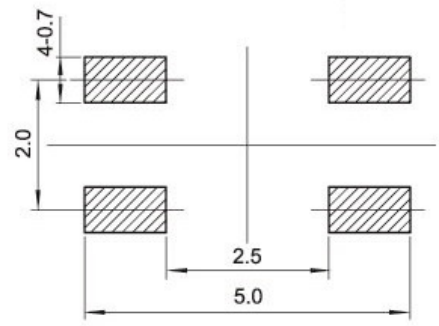
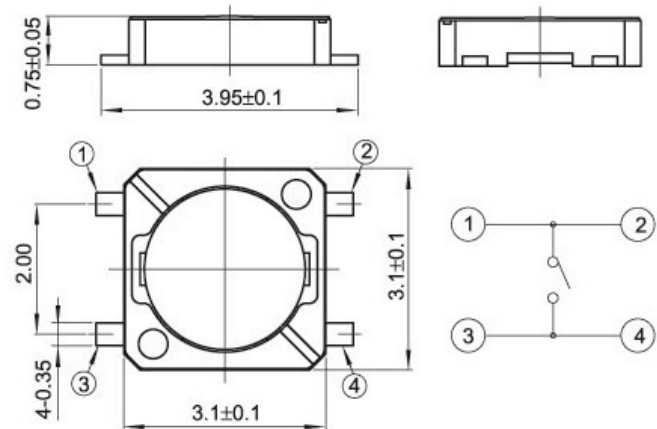
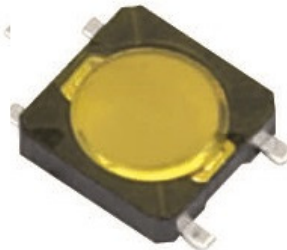


### SPECIFICATIONS

Items		Standard
Operating temperature range		-30°C to +85°C
Electrical performance	Rating	50mA, 12V DC
	Insulation resistance	100MΩ min. 100V DC
	Dielectric strength	250V AC for 1 min.
	Contact resistance	100mΩ max.
Durability	Lifetime	100,000 Cycles
Mechanical performance	Operating force	90gf 160gf 250gf
	Travel	0.20 ± 0.1mm

PART NUMBER: SMD-MINI-05

DESCRIPTION: 3.35X3.35X0.75mm MINI SMD TACT SWITCH



Dimensional tolerance +/- 0.2mm

**PRAN ELECTRONICS PVT. LTD.**  
INDIA.