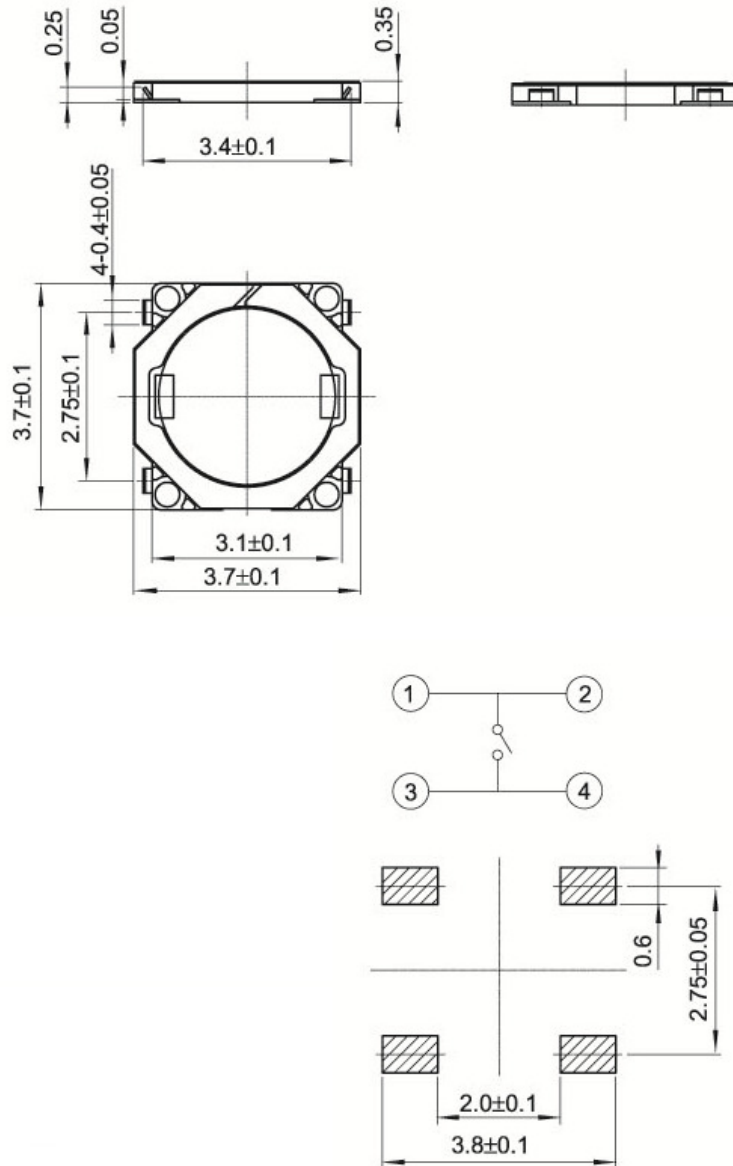
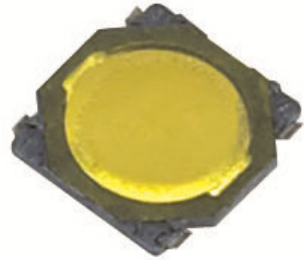


PART NUMBER: SMD-MINI-18

DESCRIPTION: 3.7X3.7X0.35mm MINI SMD TACT SWITCH

ROHS COMPLIANT



SPECIFICATIONS

Items		Standard
Operating temperature range		-30°C to +85°C
Electrical performance	Rating	50mA, 12V DC
	Insulation resistance	100MΩ min. 100V DC
	Dielectric strength	250V AC for 1 min.
	Contact resistance	100mΩ max.
Durability	Lifetime	100,000 Cycles
Mechanical performance	Operating force	180gf 250gf
	Travel	0.15 ± 0.05 mm

Dimensional tolerance +/- 0.2mm