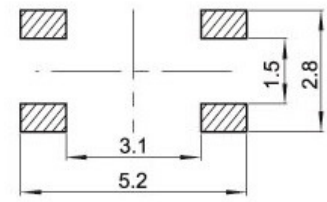
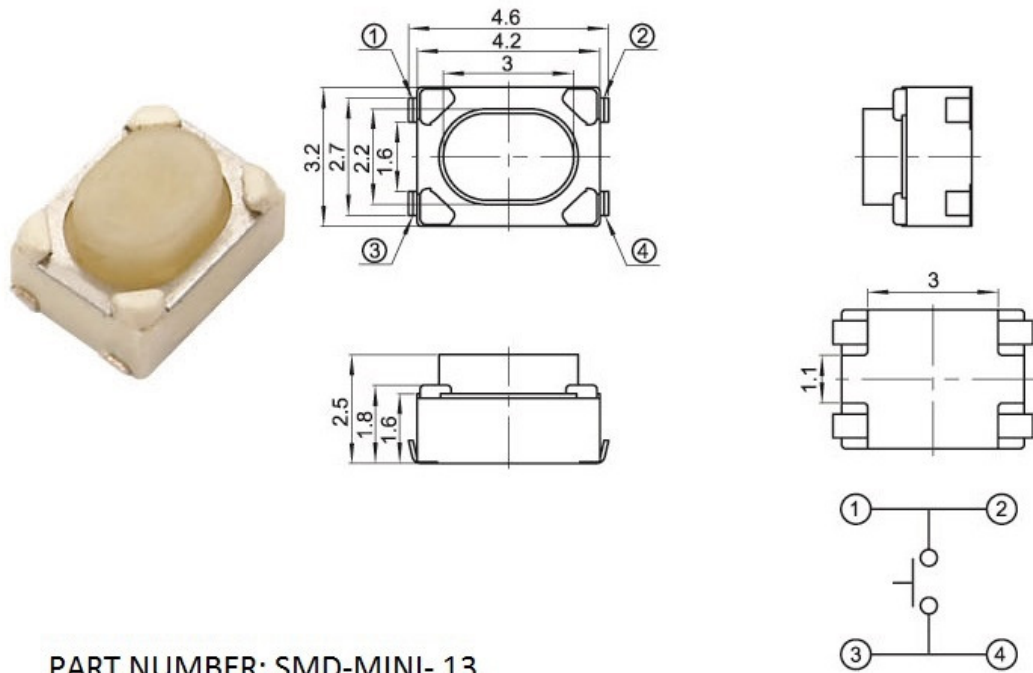


PART NUMBER: SMD-MINI-12

DESCRIPTION: 3.2X4.2X2.5mm MINI SMD TACT SWITCH

ROHS COMPLIANT

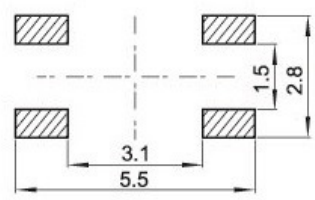
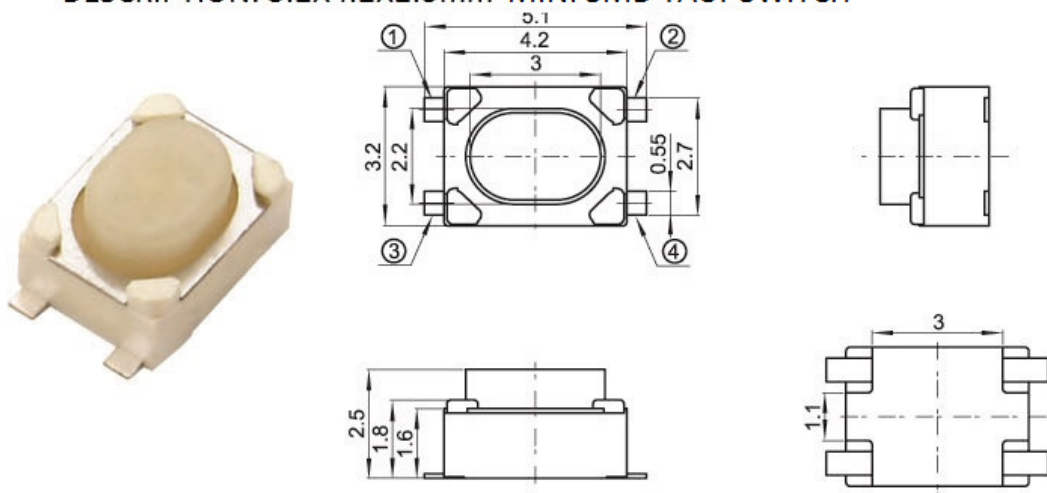


SPECIFICATIONS

Items		Standard
Operating temperature range		-30°C to +85°C
Electrical performance	Rating	50mA, 12V DC
	Insulation resistance	100MΩ min. 100V DC
	Dielectric strength	250V AC for 1 min.
	Contact resistance	500mΩ max.
Durability	Lifetime	100,000 Cycles
Mechanical performance	Operating force	160gf 250gf 400gf
	Travel	0.20 ± 0.1mm

PART NUMBER: SMD-MINI- 13

DESCRIPTION: 3.2X4.2X2.5mm MINI SMD TACT SWITCH



Dimensional tolerance +/- 0.2mm



PRAN ELECTRONICS PVT. LTD.
INDIA.