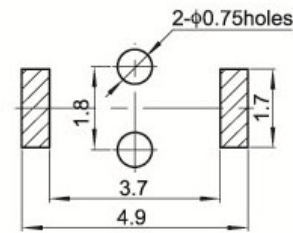
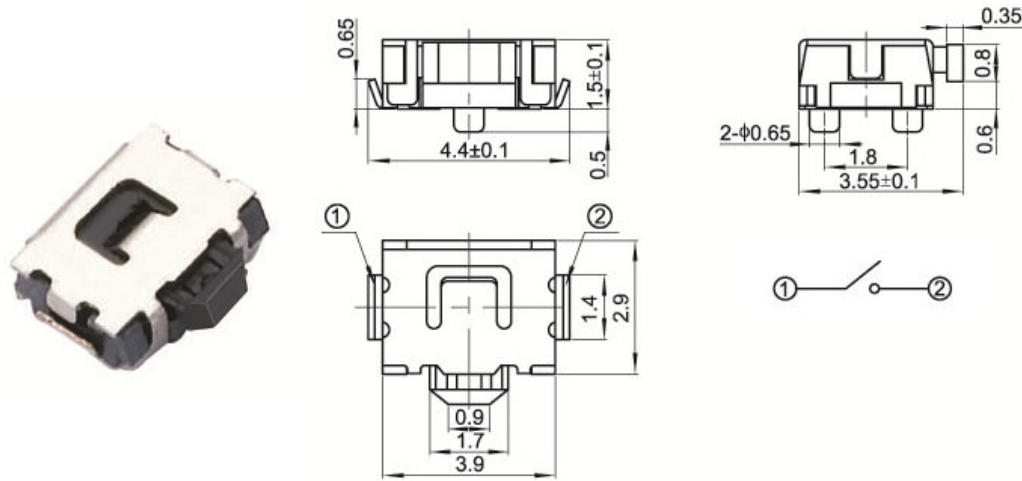


PART NUMBER: SMD-MINI-10

DESCRIPTION: 2.9X3.9X1.5mm MINI SMD TACT SWITCH SIDE PRESS

ROHS COMPLIANT

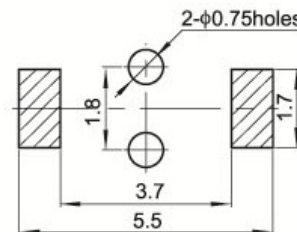
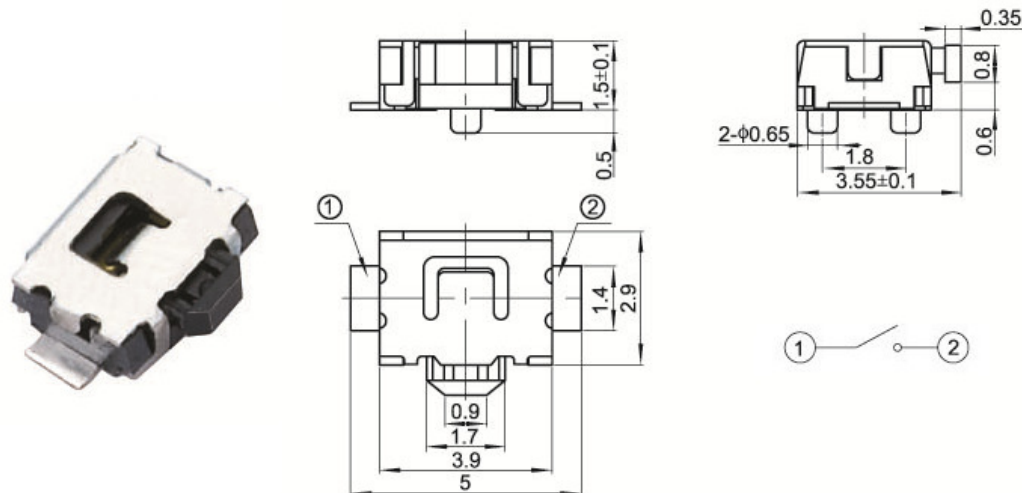


### SPECIFICATIONS

Items		Standard
Operating temperature range		-30°C to +85°C
Electrical performance	Rating	50mA. 12V DC
	Insulation resistance	100MΩ min. 100V DC
	Dielectric strength	250V AC for 1 min.
	Contact resistance	100mΩ max.
Durability	Lifetime	100,000 Cycles
Mechanical performance	Operating force	160gf 250gf
	Travel	0.20 ± 0.1mm

PART NUMBER: SMD-MINI-11

DESCRIPTION: 2.9X3.9X1.5mm MINI SMD TACT SWITCH SIDE PRESS



Dimensional tolerance +/- 0.2mm

P

PRAN ELECTRONICS PVT. LTD.  
INDIA.