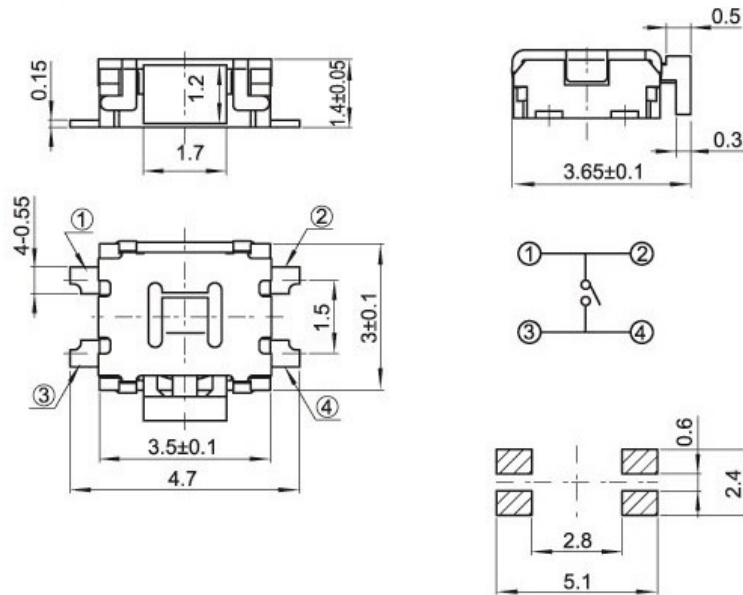


PART NUMBER: SMD-MINI-01

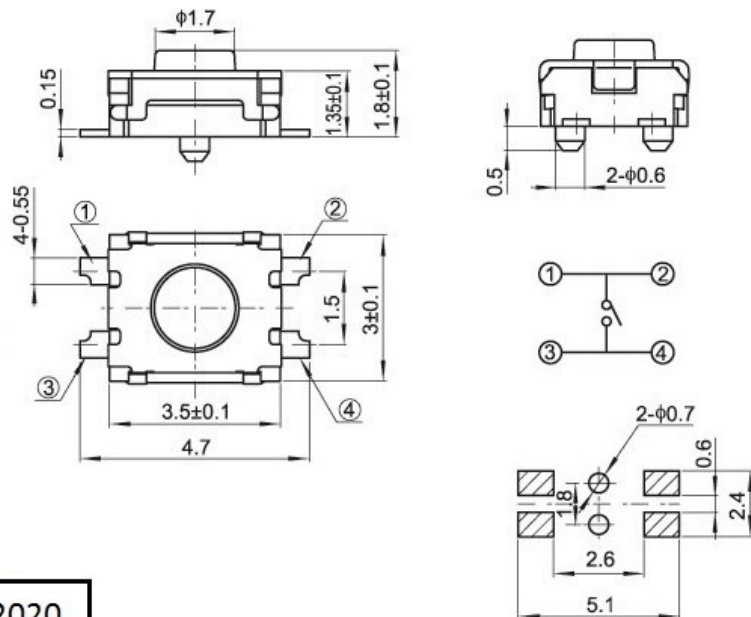
DESCRIPTION: 3.5X3X1.4MM MINI SMD TACT SWITCH SIDE PRESS

ROHS COMPLIANT



PART NUMBER: SMD-MINI-02

DESCRIPTION: 3.5X3X1.8mm MINI SMD TACT SWITCH



SPECIFICATIONS

Items		Standard
Operating temperature range		-30°C to +85°C
Electrical performance	Rating	50mA. 12V DC
	Insulation resistance	100MΩ min. 100V DC
	Dielectric strength	250V AC for 1 min.
	Contact resistance	100mΩ max.
Durability	Lifetime	100,000 Cycles
Mechanical performance	Operating force	160gf 250gf
	Travel	0.13 ± 0.05mm

Dimensional tolerance +/- 0.2mm