

SOFT TOUCH POSITIVE TACTILE FEEL

SPST SWITCH.

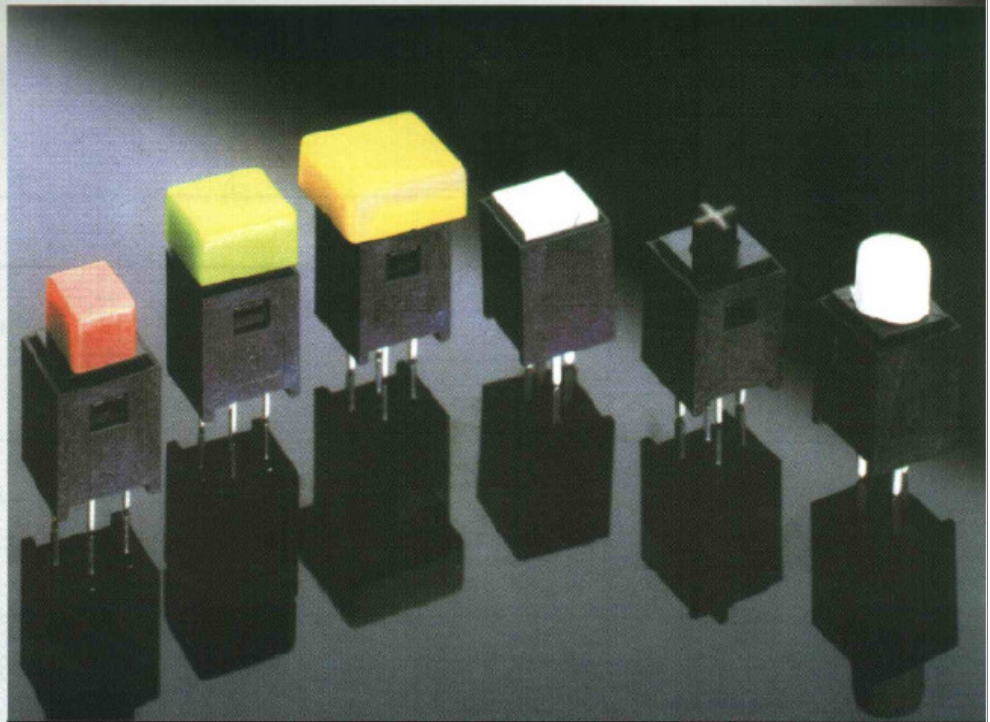
4 PIN CONFIGURATION CAN BE

USED AS JUMPER LEADS TO

FACILIAE PCB LAYOUT.

AVAILABLE WITH VARIOUS KNOBS

SIZE IN ATTRACTIVE COLOURS.



TYPE 30: KEY SWITCH

SPECIFICATIONS:

FUNCTION	: MOMENTARY TACTILE
CONTACTS	: SILVER PLATED BRASS
RATING	: 20 mA, 35 V DC
CONTACT RESISTANCE	: < 25 m Ω
INSULATION RESISTANCE	: > 25,000 M Ω
OPERATING TEMPERATURE	: - 20°C TO + 70°C
OPERATING FORCE	: 1.2 (+ 0.3 - 0.2) N
OPERATING TRAVEL	: 0.7 (- 0.2) mm
OPERATING LIFE	: > 250,000 CYCLES
CAPICITANCE	: < 0.9 pF
KNOB COLOURS	: BLACK, WHITE, GREY, YELLOW, GREEN, BLUE, ORANGE, RED

C-DOT APPROVED.



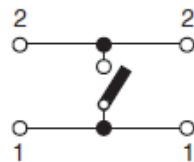
MEHTA SWITCH

TYPE	SWITCH CODE										
LOW PROFILE	<table border="1"> <tr> <td colspan="2">TYPE</td> <td colspan="2"></td> </tr> <tr> <td>3</td> <td>0</td> <td>1</td> <td>0</td> </tr> </table> <p style="text-align: center;">↓ COLOUR CODE</p>	TYPE				3	0	1	0		
TYPE											
3	0	1	0								
STANDARD SWITCH	<table border="1"> <tr> <td>3</td> <td>0</td> <td>2</td> <td>0</td> <td>0</td> </tr> </table> <p style="text-align: center;">↓ COLOUR CODE</p>	3	0	2	0	0					
3	0	2	0	0							

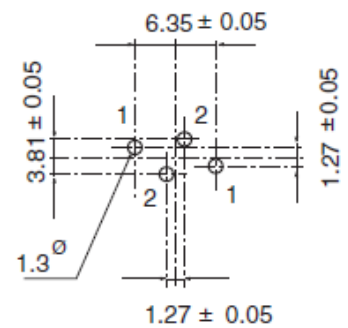
KNOB CODE							
8 X 6 mm	<table border="1"> <tr> <td>K</td> <td>40</td> <td></td> <td>0</td> </tr> </table> <p style="text-align: center;">↓ COLOUR CODE</p>	K	40		0		
K	40		0				
7 mm DIA.	<table border="1"> <tr> <td>K</td> <td>41</td> <td></td> <td>0</td> </tr> </table> <p style="text-align: center;">↓ COLOUR CODE</p>	K	41		0		
K	41		0				
10 X 10 mm	<table border="1"> <tr> <td>K</td> <td>42</td> <td></td> <td>0</td> </tr> </table> <p style="text-align: center;">↓ COLOUR CODE</p>	K	42		0		
K	42		0				
12.5 X 12.5 mm	<table border="1"> <tr> <td>K</td> <td>43</td> <td></td> <td>0</td> </tr> </table> <p style="text-align: center;">↓ COLOUR CODE</p>	K	43		0		
K	43		0				

COLOUR CODE

- BLACK (2)
- WHITE (3)
- GREY (4)
- YELLOW (5)
- GREEN (6)
- BLUE (7)
- ORANGE (8)
- RED (9)



4 PIN VERSION



PCB LAYOUT