

ELECTRICAL :

- 1. VOLTAGE RATING : 125 VAC RMS.
- 2. CURRENT RATING : 1.5 AMP.
- 3. CONTACT RESISTANCE : 30 MILLIOHMS MAX.
- 4. INSULATION RESISTANCE : 500 MEGOHMS MIN @ 500 VDC.
- 5. DIELECTRIC STRENGTH : 1000 VAC RMS 50Hz or 60Hz, 1MIN.

MECHANICAL :

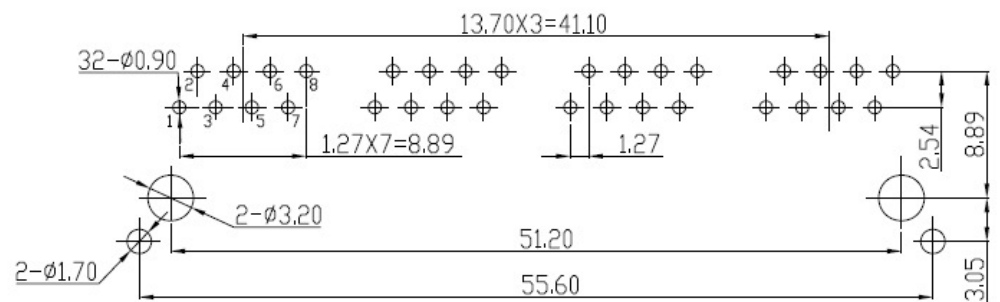
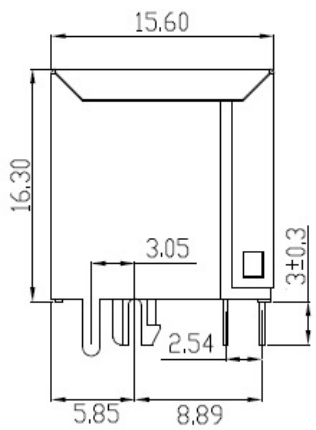
- 1. HOUSING & INSERT MATERIAL : PBT UL94V-0.
- 2. CONTACT MATERIAL : DIAMETER 0.45MM PHOSPHOR BRONZE
GOLD PLATING OVER NICKEL.
- 3. MATING/UNMATING FORCE : 2.2KG. F MAX.
- 4. RETENTION STRENGTH : 7.7KG. F MIN BETWEEN JACK AND PLUG.
- 5. OPERATING LIFE : 600 CYCLES MIN.

ENVIRONMENTAL :

- 1. STORAGE : -10°C ~ +40°C RELATIVE HUMIDITY<70%.
- 2. OPERATION : -40°C ~ +85°C.

Part Code: JP-T1-8P8C-4PS

Description: 4 Port RJ45 8P8C Top/Straight entry modular jack with shield



PC Board Layout

Rev. 00 date 10/01/2017

**PRAN ELECTRONICS PVT. LTD.
INDIA**

DRAWING NOT TO SCALE