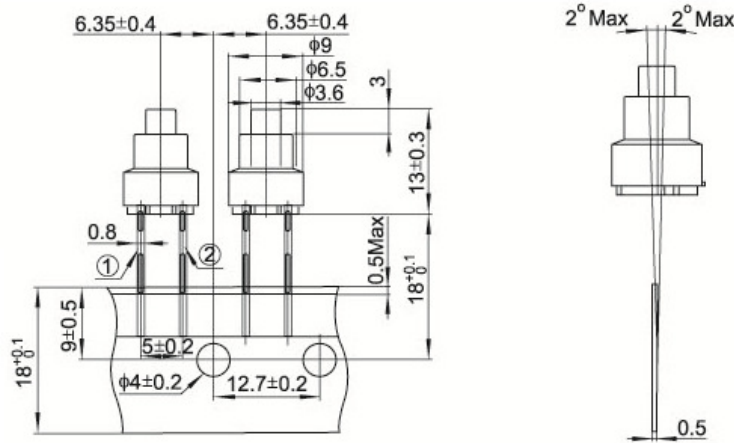
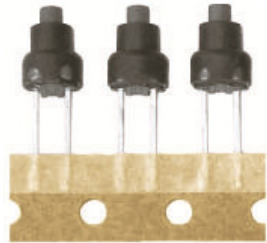


PART NUMBER: 60-1000-13-WP

DESCRIPTION: 10MMX13 RADIAL 2 PIN ROUND WATERPROOF TACT SWITCH



ROHS COMPLIANT



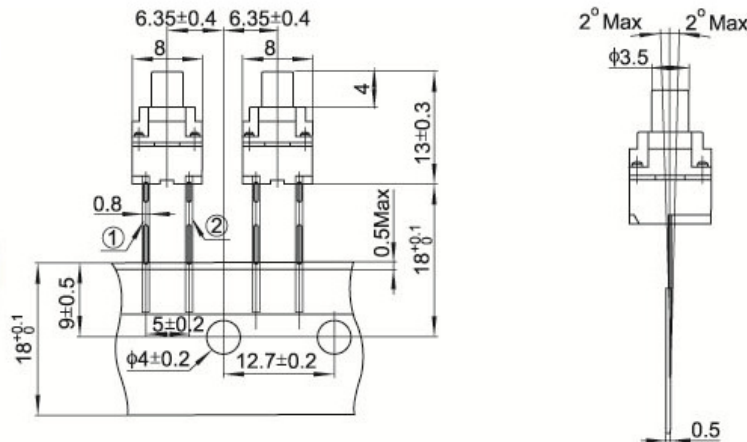
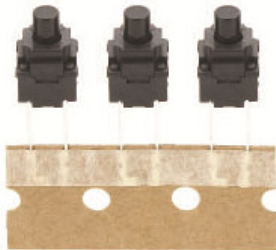
WATERPROOF

SPECIFICATIONS

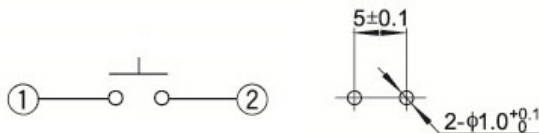
| Items | | Standard |
|-----------------------------|-----------------------|--------------------|
| Operating temperature range | | -40°C to +90°C |
| Electrical performance | Rating | 50mA. 12V DC |
| | Insulation resistance | 100MΩ min. 100V DC |
| | Dielectric strength | 250V AC for 1 min. |
| | Contact resistance | 100mΩ max. |
| Durability | Lifetime | 100,000 Cycles |
| Mechanical performance | Operating force | 160gf 250gf |
| | Travel | 0.25 ± 0.1mm |

PART NUMBER: 60-8080-13-WP

DESCRIPTION: 8X8X13mm RADIAL 2 PIN WATERPROOF TACT SWITCH



| | |
|----------------------|------|
| Temperature of water | 60°C |
| Depth of water | 10cm |
| Immersion duration | 240h |



Dimensional tolerance +/- 0.2mm

REV.00 DATE 08/04/2020



PRAN ELECTRONICS PVT. LTD.
INDIA.