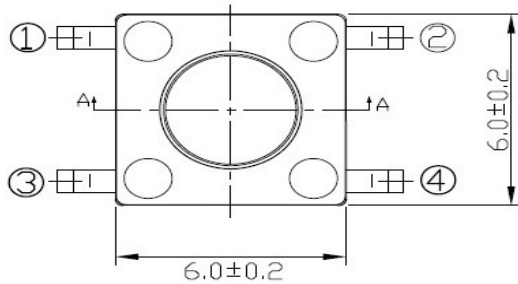


6x6 SMD TACT SWITCH 9.2MM PITCH



Overall Height H

Hmm XXX
 4.3 = 043
 5.0 = 050
 6.0 = 070
 7.0 = 070
 8.0 = 080
 8.5 = 085
 9.5 = 095
 11.0 = 110
 12.5 = 125
 13.0 = 130
 13.5 = 135
 17.0 = 170



ROHS COMPLIANT

SPECIFICATIONS:

Contact: Phosphor Bronze Silver Plated

Rating: 50mA x 12V DC

Contact resistance: 100 mOhms max.

Proof Voltage: 250V AC for 1 minute

Insulation Resistance: 100 MOhms minimum/100VDC

Operating Life: 100,000 cycles

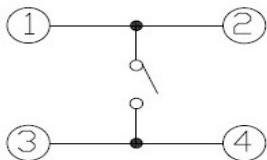
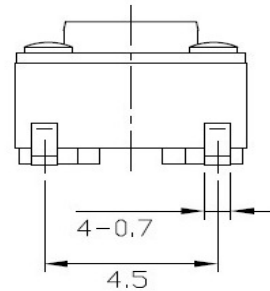
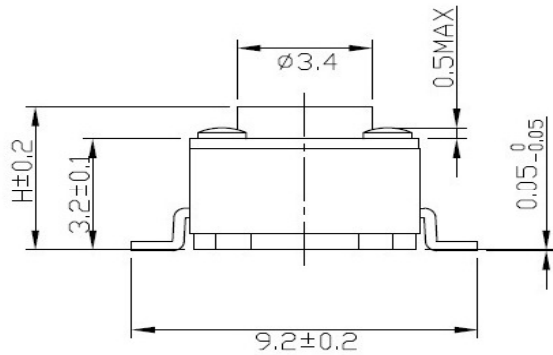
Resistance to soldering heat: 255 +/- 5 Deg. C for 5 seconds max

Part Code: 60-2M2-XXX

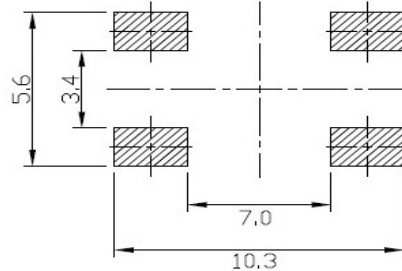
Description: 6x6mm SMD tact switch 9.2mm Pitch

Replace XXX with Overall Height H

H = 4.3mm = 043, H = 5mm = 050 H = 17mm = 170



CIRCUIT DIAGRAM



P.C.B LAND DIMENSION

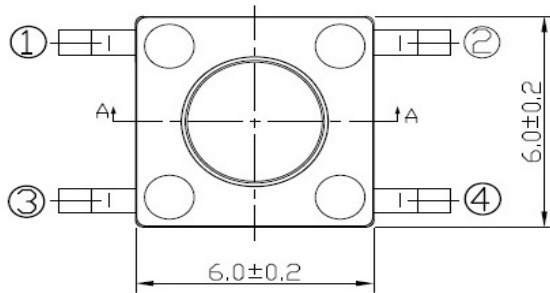
Dimensional tolerance +/- 0.2mm

Rev. 00 date 06/02/2017



PRAN ELECTRONICS PVT. LTD.
INDIA.

6x6 SMD TACT SWITCH 10MM PITCH

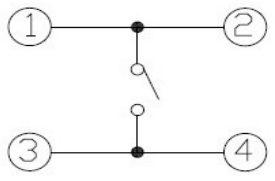
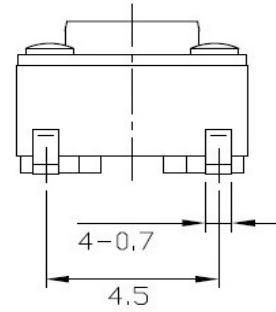
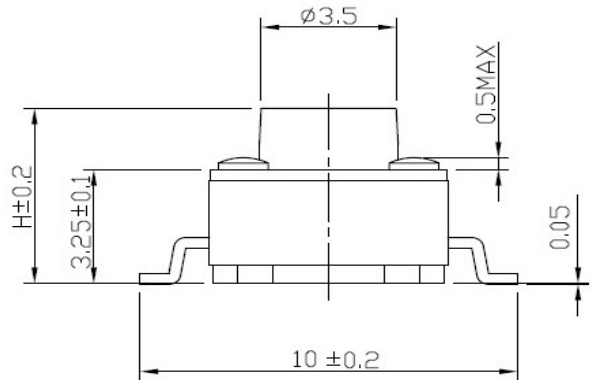


Overall Height H

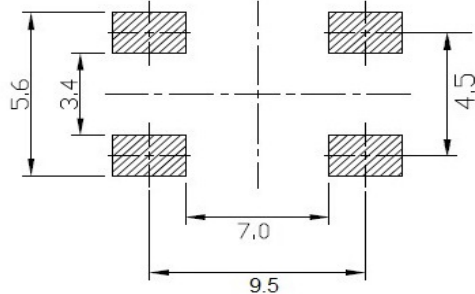
Hmm	XXX
4.3	= 043
5.0	= 050
6.0	= 070
7.0	= 070
8.0	= 080
8.5	= 085
9.5	= 095
11.0	= 110
12.5	= 125
13.0	= 130
13.5	= 135
17.0	= 170



ROHS COMPLIANT



CIRCUIT DIAGRAM



P.C.B LAND DIMENSION

SPECIFICATIONS:

- Contact: Phosphor Bronze Silver Plated
- Rating: 50mA x 12V DC
- Contact resistance: 100 mOhms max.
- Proof Voltage: 250V AC for 1 minute
- Insulation Resistance: 100 MOhms minimum/100VDC
- Operating Life: 100,000 cycles
- Resistance to soldering heat: 255 +/- 5 Deg. C for 5 seconds max
- Part Code: 60-2M2-XXX-10mm
- Description: 6x6mm SMD tact switch 10mm Pitch
- Replace XXX with Overall Height H
- H = 4.3mm = 043, H = 5mm = 050 H = 17mm = 170

Dimensional tolerance +/- 0.2mm

PRAN ELECTRONICS PVT. LTD. INDIA.