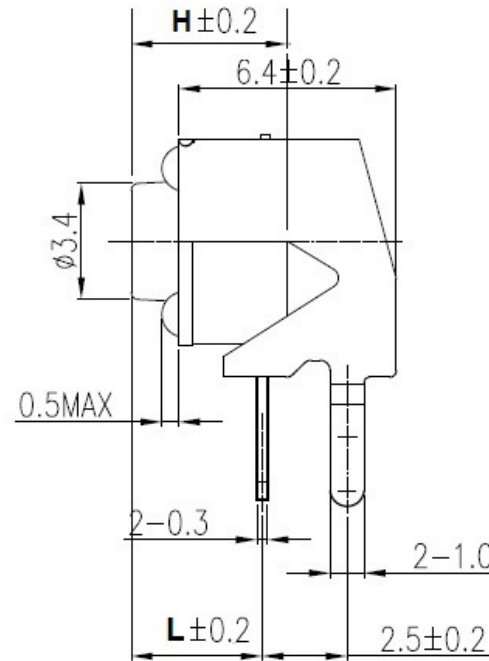
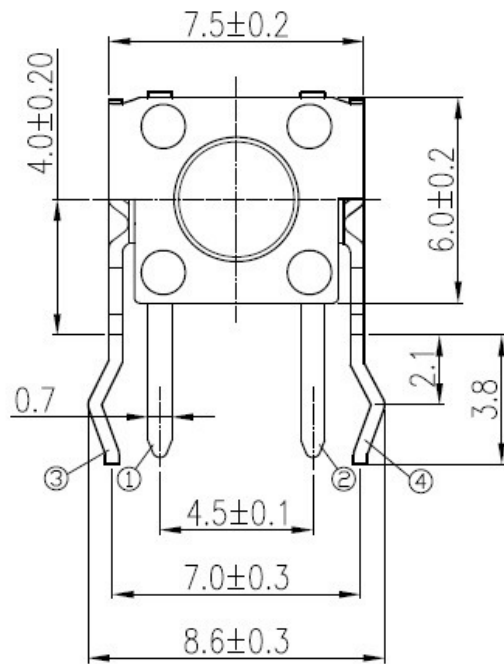


6x6mm Right angle (vertical) TACT SWITCH



SPECIFICATIONS:

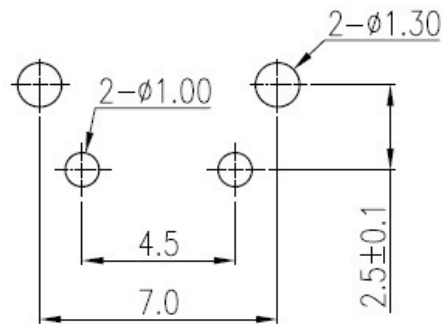
Rating: 50mA x 12V DC

Contact resistance: 100 mOhms max.

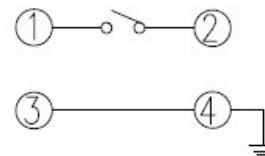
Proof Voltage: 250V AC for 1 minute

Insulation Resistance: 100 MOhms minimum/100VDC

Operating Life: 100,000 cycles PhBz contact



RECOMMENDED PCB LAYOUT



CIRCUIT DIAGRAM

PART CODE	L	H	OLD PART CODE
60-2V2-315	3.15	4.3	60-2V1A
60-2V2-385	3.85	5.0	60-2V1B
60-2V2-485	4.85	6.0	60-2V1M
60-2V2-585	5.85	7.0	60-2V1C
60-2V2-685	6.85	8.0	60-2V1D
60-2V2-735	7.35	8.5	60-2V1I
60-2V2-835	8.35	9.5	60-2V1E
60-2V2-985	9.85	11.0	60-2V1K
60-2V2-1135	11.35	12.5	60-2V1F
60-2V2-1185	11.85	13.0	60-2V1J
60-2V2-1235	12.35	13.5	60-2V1G
60-2V2-1585	15.85	17.0	60-2V1H

Dimensional tolerance +/- 0.2mm

ROHS COMPLIANT

Rev.00 date 19/02/2018

**P PRAN ELECTRONICS PVT. LTD.
INDIA.**