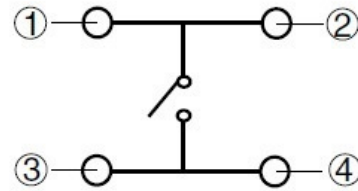
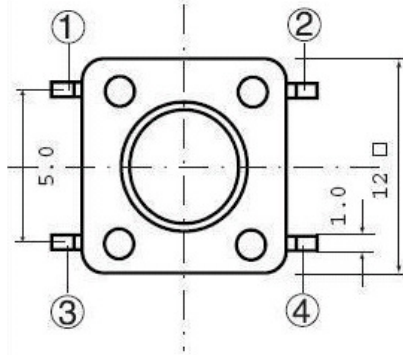


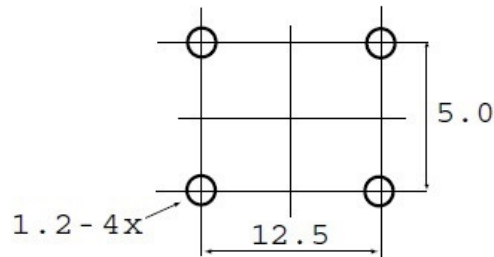
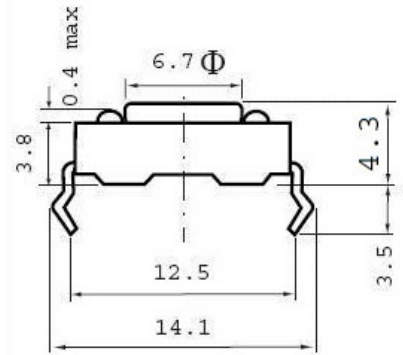
PART NUMBER: 60-3S5-043

DESCRIPTION: 12X12X4.3mm STANDARD TACT SWITCH

ROHS COMPLIANT



CIRCUIT DIAGRAM



PCB LAYOUT

SPECIFICATIONS

| Items | | Standard |
|-----------------------------|-----------------------|--------------------|
| Operating temperature range | | -30°C to +85°C |
| Electrical performance | Rating | 50mA, 12V DC |
| | Insulation resistance | 100MΩ min. 100V DC |
| | Dielectric strength | 250V AC for 1 min. |
| | Contact resistance | 100mΩ max. |
| Durability | Lifetime | 100,000 Cycles |
| Mechanical performance | Operating force | 180gf 250gf |
| | Travel | 0.25 ± 0.1mm |

Dimensional tolerance +/- 0.2mm

REV. 00 DATE 12/07/2017



PRAN ELECTRONICS PVT. LTD.
INDIA.