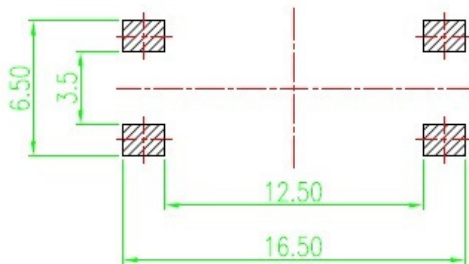
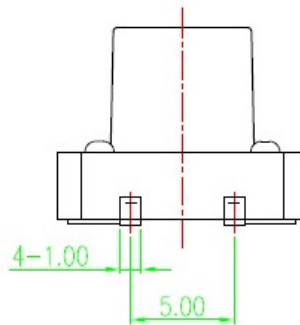
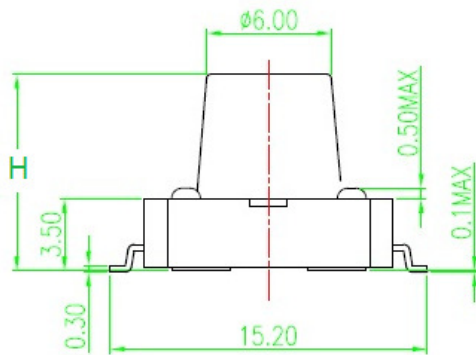
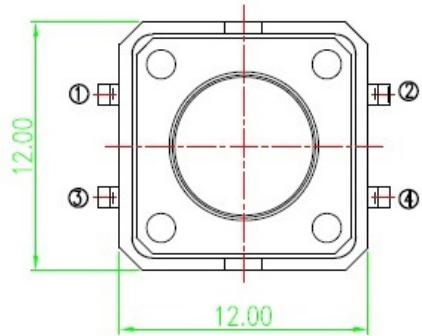
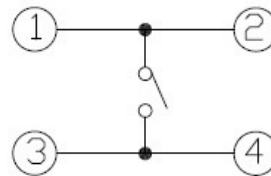


ROHS COMPLIANT



P.C.B LAND DIMENSION



CIRCUIT DIAGRAM

**SPECIFICATIONS:**

Contact: Phosphor Bronze Silver Plated

Rating: 50mA x 12V DC

Contact resistance: 100 mOhms max.

Proof Voltage: 250V AC for 1 minute

Insulation Resistance: 100 MOhms minimum/100VDC

Operating Life: 100,000 cycles

Resistance to soldering heat: 255 +/- 5 Deg. C for 5 seconds max

Part Code:60-3M5-XXX

Description: 12x12 SMD tact switch

H = overall height

Repace XXX with overall height 4.3mm to 17mm

Example:

Part code: 60-3M5-170 = 12x12x17mm height tact switch

Dimensional tolerance +/- 0.2mm

