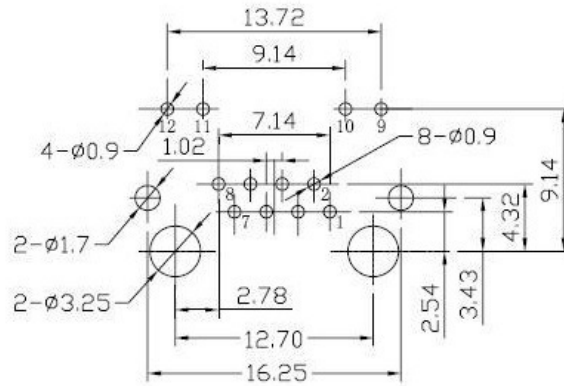
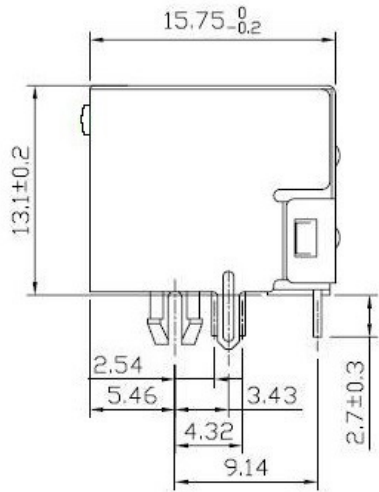


Part No: JP-LED-8P8C-XXS

Left Led Right Led

Led colours: Green=G, Red=R, Yellow=Y



PC Board Layout (TOP VIEW)

**ELECTRICAL:**

- |                          |  |
|--------------------------|--|
| 1. VOLTAGE RATING        | : 125 VAC RMS.   |
| 2. CURRENT RATING        | : 1.5 AMPS@25° C   |
| 3. CONTACT RESISTANCE    | : 20 mΩ MAX.   |
| 4. INSULATION RESISTANCE | : 1000 MΩ MIN @500VDC.   |
| 5. WITHSTAND VOLTAGE     | : 1000 VAC RMS, contact to contact or 1500VDC, contact to screen and test panel @0.5mA 50Hz or 60Hz 1 min. |

**MECHANICAL:**

- |                             |  |
|-----------------------------|--|
| 1. HOUSING&INSERT& MATERIAL | : PBT UL94V-0.   |
| 2. CONTACT MATERIAL         | : PHOSPHOR BRONZE T=0.35mm.  |
| 3. CONTACT PLATING          | : 1: CONTACT AREA-SELECTIVE GOLD PLATING.<br>2: TAILS PLATING TIN OVER NICKEL. |
| 4. MATING/UNMATING FORCE:   | : 30N Max..  |
| 5. RETENTION STRENGTH       | : 50N for 60s ± 5s.  |
| 6. DURABILITY               | : 750 CYCLES MIN.  |

**ENVIRONMENTAL:**

- |                          |                                       |
|--------------------------|---------------------------------------|
| 1. STORAGE TEMPERATURE   | : -40° C +85° C RELATIVE HUMIDITY<80% |
| 2. OPERATION TEMPERATURE | : -40° C +85° C                       |
- MATES WITH MODULAR PLUG CONFORMING TO FCC PART 68, SUBPART F.  
ROHS PART NUMBER:

**P** PRAN ELECTRONICS PVT. LTD.  
INDIA  
Rev. 01 7/2/2014  
DRAWING NOT TO SCALE